

Zero Beat



Alliance Amateur Radio Club

Volume XXVIII, no 12

<http://www.w8lky.org>

December, 2014

Serving the Tri-County area since 1986

Ham Memories!



The December meeting of the Alliance ARC will be all about memories; your memories. Since it's the Christmas season, we decided to do something based on the "**Your First QSO**" program we did last December.

So, the program at this month's club meeting will be "**Your best Ham Radio Memory**". It could be your first, or most memorable QSO. Maybe it's a hamfest memory; or perhaps a story of your Elmer. Maybe your favorite memory conjures images of vintage rigs, dogs in front of fireplaces, and cold snowy mornings. In other words, be prepared to tell us about your best Ham Radio Memory so far!

The fun begins immediately following the business meeting on December 10th. Meeting location is posted on the last page of the Zero Beat.

Oh, did I forget to mention prizes? There are none. Your take-away is the memory of the great time you will have. So get out there to our December meeting. Let's have some fun!



Officers

President

KD8KMQ
Ben Davis
4561 Anderson Ave, NE
Homeworth, OH 44634
drpepper9x@gmail.com
330-257-3301

Vice-President

KD8MQ
John Myers
910 W. Mill St
Alliance, OH 44601
kd8mq1@gmail.com
330-936-5021

Secretary

KD8JRK
Tom Steele
3755 S. Union Ave
Alliance, OH 44601
tsteele077@gmail.com
330-821-5011

Treasurer

KB8IVS
Mary Ann Royer
6255 Sandalwood NE
Canton, OH 44721
kb8ivs@aol.com
330-492-0703

Trustees

KB8RFE
Steve Collins
10690 Maple St
Minerva, OH 44657
kb8rfe@yahoo.com
330-868-5083

KC8SUI
Rick Smith
18252 State Route 62
Beloit, OH 44609
kc8sui@juno.com
330-341-0300

K8DXR
Howard Miller
10626 Dot Ave.
Alliance, OH 44601
hmiller32@neo.rr.com
330-821-9392

Webmaster

Ben Davis, KD8KMQ drpepper9x@gmail.com

Newsletter Editor

John Myers, KD8MQ kd8mq1@gmail.com

QSL Manager

Howard Miller, K8DXR hmiller32@neo.rr.com

W8LKY Callsign Trustee

Don Whitaker, K8OMO k8omo@juno.com

AARC Meetings

The Alliance Amateur Radio Club meets on the Second Wednesday of each month, at the Alliance Community Hospital. For times, and program information, check the meeting announcement on the last page of this newsletter, Talk-in on either of the club repeaters. Meetings begin at 7:30 PM. Visitors are always welcome.

Find Us Online:

Web: www.w8lky.org

E-mail: W8lky@w8lky.org



AARC Repeaters

2 Meters

145.370 (-) W8LKY
-W8LKY Echolink node

440 MHz

442.350 (+) W8LKY

Nets

Thursday is our "net night," with the following nets held, beginning at 8 PM

Ten Meters

8:00PM 28.100 MHz (CW)
8:30PM 28.400 MHz (SSB)

Two Meters

9:00 PM 145.37 MHz W8LKY (-)

Homeland security Net

(Meets on the last Tuesday of each month
8:00 PM 147.51 Simplex)

October Minutes



November 12, 2014

The regular meeting of the Alliance Amateur Radio Club was held on November 12, 2014 at 7:30 PM in the main conference room of the Alliance Community Hospital with club President Ben Davis (KD8KMQ) presiding. The pledge of allegiance was recited followed by introductions. There were 17 in attendance. Guests: Miriam Sanor

Committee reports:

--- Homeland Security Net: Don (K8OMO) Doing quite well.

CW Net: 28.100.00

10 Meter Net: 28.400.00 and sometime 28.405.00

--- 2 Meter Net:

Smitty (KC8TJQ) gave a report on progress

Oct. 02 - 12

Oct. 09 - 12

Oct. 16 - 17

Oct. 23 - 17

Oct. 30 - 13

Total 71

Nov. 06 - 14

Request was made for more operators to help out.

--- Repeater Committee:

Don (K8OMO) Said we have a New Amp installed.

--- 440 Repeater:

John (KD8MQ) Nothing to report. Now have Manuals. Getting good reports on coverage

--- Echo Link:

John (KD8MQ) No report

--- Website:

John (KD8MQ) Rewriting links. Monday Morning Message included.

--- Newsletter John (KD8MQ) Doing good

--- Monday Morning Message

114 Subscribers

Birthdays & Announcements:

Ben read off the birthdays for

November Birthdays:

Nov 3, George, K3GP

Nov 4, Sherry Whitaker

Nov 19, Rich, WB8TPG & Rick, KC8SUI

Nov 29, Noah, KD8SBS

November 22, 2014 Smitty (KC8TJQ) and Wife will celebrate their wedding anniversary at Bethany Mennonite Church from 2:00 - 4:00 all are invited.

--- Classes:

Frank (WA8WHP) No classes.

Z e r o B e a t

Christmas Party December 20, 2014 Don Poncho's Starting at 6:00 and eating at 7:00.

John (KD8MQ) working on schedule for 2015 programs. Handed out a sheet for members to fill out for suggestions for upcoming programs.

Tom (KD8JRK) asked about attending Alliance City Council meetings. This was tabled for later.

Field Day 2014.

3964 contacts last year 2013

4690 contacts in 2014

Category: Power Multiplier

2013 45/158

2014 47/312

Category: Power -> Ohio

2014 4/17

2013 6/9

Category: Power -> Great Lakes

2014 5/32

2013 8/13

Ohio Overall:

2014 20/132

2013 25/121

As 3-A we placed 4th. In 2014

Over all we placed 20th in the State of Ohio. 47th in the Country.

Secretary's report:

Secretary Tom (KD8JRK) Was in the newsletter.

John (KD8MQ) Amended it.

Approvals given:

[1st. Frank \(WA8WHP\)](#)

[2nd. Rex \(NX8G\)](#)

Treasurer's report:

Treasurer Mary Ann (KB8IVS)

No report

Don (K8OMO) is correcting the Bank Situation.

Old business:

Nothing to report.

New business:

Ham of the Year Nominations.

50/50 Proceeds going to The Alliance Fire Dept. Toy Drive.

PA QSO Party:

John (KD8MQ) Reported using

160 Meter Antenna

2 Meter Ground Plane

6 Meter Antenna

40/80 Dipole

554 Contacts

7600 Points

Program:

Home Brew Night

1st. Frank (WA8WHP) QRP Back Pack Transceiver on 14.055.00

Z e r o B e a t

- 2nd. Don (K8OMO) 2 Meter Amplifier for the 147.370 Repeater
3rd. Gary (KD8QFH) Transmit and Receive Switch.
4th. Tony (KD8BBK) QRP SCAF Audio Filter. Displayed on Youtube Demonstration.
5th Don (AB8KV) Coil Winder for Tube Projects.
6th. Rex (N8XG) Mobile Digital Kit.
7th Tomas (KC8ZEH) Tiger Tail / Rat Tail for HT. Only \$20.00.
Winner: Don (K8OMO)

50 / 50 Drawing:

\$183.00

Winner Tomas (KC8ZEH) \$91.50.

HT. Winner: Rex (N8XG)

Adjourn:

1st. Don (K8OMO)

2nd. Don (AB8KV)

Minutes respectfully submitted by Tom (KD8JRK), Secretary

Wayback Machine

A Look back At The Last 25 Years Of AARC History

Here again are some of the highlights from the last 20 years of the Zero Beat. you can read them at www.w8lky.org.

December, 1989, (editors KB8GCE & KB8GCF)

- Our friend at the Salem Area ARA were preparing for their 2nd annual pancake breakfast.
- There was an ad for a line of no-code CW study tapes. We believe this to be an attempt at humor.
- Tech/General classes were starting soon. The instructors were to be John, WX8G, and Jim, N8DZA.
- The AARC Christmas banquet was coming up on Dec 23rd at Roadhouse Charlies.
- This months "Couples in our club" feature spotlighted Larry & Patti Hillier, N8EWV, and KE8KH.
- The mystery is finally solved! The winner of the AARC DXCC contest was Jack, W8WEN. Jack worked & confirmed 100 countries in 1989.

(There was no December, 1999 issue of the Zero Beat)

December, 1994, (editor WX8G)

- There was a very interesting story on Ham Radio's coverage of the break-up of comet Shoemaker-Levy 9. Members of the Denver Radio Club provided live coverage from the snowy peak of Mt. Evans, west of Denver.
- The club was offered the use of an observatory in Paris.
- We reprinted a letter of congratulations from Joe Philips, K8QOE. The Zero Beat had

Z e r o B e a t

been awarded Honorable mention in the 3rd annual Ohio section Newsletter Contest. We scored 70 out of a possible 100 points; Not bad for a first entry, according to Joe.

- We printed a Ham Radio rendition of the 12 Days of Christmas.
- A new column "Dit & Dah Talk Radio" debuted.
- N8IAK was planning for the clubs annual Santa Net.
- A true story was shared on how to pinch a penny, on the way to affording that new dream radio.
- The winning team of KC8WY, & N8GIE won the AARC Fall Fox hunt. The foxes were John, WX8G, and Pam, N8IAK, who were hidden in Paris.
- The 1999 AARC Christmas Banquet was coming up on December 10th, at Roadhouse Charlies.
- Dave(N8NLZ) & Mildred Hostetler's 50th wedding anniversary was coming up.

December, 2004, (editor KE8VE)

- Larry was posting his remembrances of Ray, K8DEN, who had become a Silent Key.
- Doug Bowling, AB8CJ was closing down the Ham station at Marlinton, citing lack of time as the reason.

December, 2009, (editor KD8MQ)

- The 2009 Field Day results were posted. That was the year that Marlinton chose to tear up the parking lot just before Field Day weekend. We placed 7th in our class in the ARRL Ohio Section.
- KC8SUI's tower raising pictures were included in this issue.
- Jim, K8LTG took first place in the first annual AARC Homebrew Night. He showed his HBR Receiver.
- K8OMO had returned to the airwaves from his "new" QTH.

ARRL Has New Elmer Award

In the weekly message that Scott, N8SY sends out to the rest of the Section cabinet, he touches on a lot of subjects. One that caught my eye recently was that the league is offering a new certificate; the "**Elmer Award**".

Any league member can go online to www.arrl.org/elmer-award, to order the award. There is no cost, and you can elect to either send the award direct to your Elmer, or to yourself, so you can present it personally. Nothing was mentioned on how long it takes for the form to arrive.

The following is an excerpt from the league website:

Origin of the term "Elmer"

The term "Elmer"--meaning someone who provides personal guidance and assistance to would-be hams--first appeared in *QST* in a March 1971 "How's DX" column by Rod Newkirk, W9BRD (now also VA3ZBB). Newkirk called them "the unsung fathers of Amateur Radio." While he probably was not trying to coin a term at the time, here's how Newkirk introduced "Elmer" in his column and, as it turned out, to the rest of the Amateur Radio world:

"Too frequently one hears a sad story in this little nutshell: 'Oh, I almost got a ticket, too, but Elmer, W9XYZ, moved away and I kind of lost interest.'"

Newkirk went on to say, "We need those Elmers. All the Elmers, including the ham who took the most time and trouble to give *you* a push toward your license, are the birds who keep this great game young and fresh."--Rick Lindquist, N1RL

Rambling by John, KD8MQ



Well, here we are again; another year is ending. It's been a busy year both personally, and professionally. I'm looking forward to 2015. I can't wait to see just what the man upstairs has in store for us.

I sat down recently and began catching up on the pile of QSL cards that have been accumulating on my desk since early summer. My problem (as the picture at the right will attest) is not that I don't have QSL cards to send out.

My problem is that when the weather is nice, I'm outside. I tend to put off my QSLing duties until cold weather, and short days force me indoors.

Part of the fun of QSLing is seeing how close I am to attaining certain awards. I've been chasing the triple play award for a couple years. Also, 5BWAS, the Worked All Counties, and the Ohio State Parks Award are awards that interest me.

I have all the Ohio State Parks worked but one, but am still waiting on about 20 QSLs. Some I've been waiting on for some time. What to do? Well, if you'll come to the January club meeting, I'll tell you. The program for January will be on Basic QSLing. I'll touch very briefly on LOTW, and EQSL, but both those subjects should be their own program.



I'd like to thank all who gave program ideas at the November meeting. We also had one come in later via Facebook. Here's what we have so far:

Z e r o B e a t

Digital Modes	Antenna Building	Space Station
Propagation basics and anomalies	Working 6 Meters	Modern interference problems & solutions (digital TVs, computers, wireless)
Weird noises on the bands, and what they are	LOTW	Ground, and why is it important
Emergency services	Search & Rescue	Weather Service
FEMA, etc., and our Role	Lightning Protection	Continuation of Logging Software Series
Contesting, Do's, Don'ts. Aids, Etc.	Go Kits	QSLs

Whew! Quite a list, huh? There's a lot of good ideas there, and I'll try my best to get to as many of those as possible. You'll notice that LOTW is still on the list. I meant to get to that last year, but a program like that requires a lot of preparation, and I just wasn't able to take the time required to put it together. I'm expecting things to be different in 2015.

Well, we donated \$100 to the Alliance Fire Department's Toy Drive this year. It's a bit lower than last year, but I think everyone had fun at the November meeting. We'll have more info elsewhere in this issue.

Don't forget; the date for the annual Christmas party has been moved to December 20th this year. Hope to see a good turnout.

That's about it for this month. 73, de John, KD8MQ

Alliance ARC DX Contest Continues!

The Alliance ARC DX contest continues until March 31st. The object is to see how many countries you can work between October 1st, 2014, and March 31st, 2015.

Contacts made on any band, DC to Daylight are eligible. It doesn't matter what mode, either. Phone, CW, Digital, FM, we don't care!

You are on the honor system. No LOTW, or EQSL required. No stressing out over getting QSL cards. Just send in your log with those contacts clearly listed along with the contact info (date, time, frequency, signal report).

The prize will be a beautiful certificate, suitable for framing.

So, who will be the recipient of the AARC DX award #1?

[Click here to go directly to the country list](#)

Field Day Results

Well, the Field Day results have been posted to the leagues Results database. You can check them out for yourself at www.arri.org/results-database?event_id=58360, but here's the high points:

W8LKY operated class 3A, made 1282 QSOs, and had a final score of 4690.

This is an increase of 726 points, and 322 QSOs over 2013. Incidentally, in 2013, we operated class 4A. Here's some more info:

We placed

- 4th in Ohio, and 5th in the Great Lakes Division against 3A stations running power multiplier 2.
- 20th in Ohio overall.

That's good increase over our scores in years past. In fact, it's the 2nd best score since 1998.

So all that's left is to start thinking of ways to improve things for next year. First thing we need is a Field Day Coordinator. Any volunteers?

Cell Phone Recycle

When you trade up to that new smartphone, we'd like you to remember that we are doing an on-going cell phone recycling drive. Just bring your old cell phones to the next club meeting.

We will see that your old phone gets recycled in the most environmentally friendly way possible. At the same time, we make money for our club! How's that for a win-win?

If getting to a meeting is not convenient, just give John, KD8MQ a call at 330-936-5021, to make other arrangements.

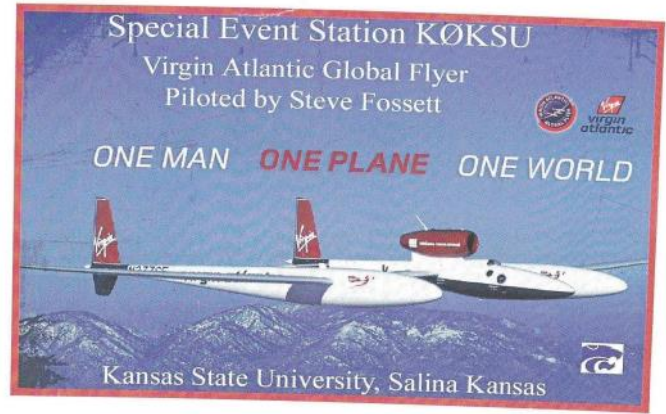


Paper Chase

by Joe Wehner, W8KNO

It is now the week before Thanksgiving and I am wondering what Christmas decorations will I start putting up on Black Friday. My wife will be away at the mall and other stores, so I will have plenty of time to myself. The tree, stored under the train table, will be blue and gold this year. GO NAVY - BEAT ARMY!

I am reminded of the other service, the Air Force, because I recently received a QSL card from WW2COS, The Mighty Eighth Air Force Museum Radio Club. The club is made up of amateurs interested in restoring and operating the radio room of the B-17G "City of Savannah". The airplane has been undergoing a complete restoration for the past 2 1/2 years. When finished, the plane will have original operational radio equipment along with a Kenwood TS-480SAT HF radio and a Kenwood TM-



D710A UHF/VHF radio. For Antennas, a G5RV HF antenna and a Diamond X-50NA UHF/VHF antenna will be used. There is also a separate wire antenna for the BC-348 receiver, original equipment.

The coax for the radios is run through the left wing to the wing tip and then out into the display area. From there it is run through the wall to an outside connection point. The web site for the Mighty Eighth Air Force Museum is: <http://www.mightyeighth.org/>.

Planes make a natural subject for a collage of QSL cards. Here are a few I have received over the years. Make your own collage and share it with the club. The KØKSU Special



Event Station commemorated the non-stop without refueling around the world flight of the Virgin Atlantic Global Flyer, The trip took 67 hours and was piloted by Steve Fossett. He was the first person to fly solo nonstop around the world in a balloon. He actually made five nonstop circumnavigations of the Earth: as a long-distance solo balloonist, as a sailor, and as a solo flight fixed-wing aircraft pilot.

Was Fosset the first person to fly around the world without refueling? No, Dick Rutan and Jeana Yeager did it aboard the Voyager. They completed their journey on December 23,

K6IRA



IRA S. GOTTFRIED * 12118 LA CASA LANE

LOS ANGELES, CALIFORNIA 90049 * L. A. COUNTY

1986. Were any of these the most famous pilot or was it Wilber Wight who flew the first plane, Chuck Yeager who was the first person to successfully fly faster than the speed of sound, Jimmy Doolittle who led the raid on Tokyo? You probably have your own favorite.

So who is the most famous pilot to fly around the world. You know him by his farewell as he flies out of sight, "Happy Christmas to all, and to all a good night!"

Happy Christmas

W8S



THE MIGHTY EIGHTH AIR FORCE MUSEUM
B-17: CITY OF SAVANNAH

Trivia: Sixty-five years ago the #1 Christmas song was, "Rudolph the Red-Nosed Reindeer."

Free Stuff!

By Dan Romanchik, KB6NU

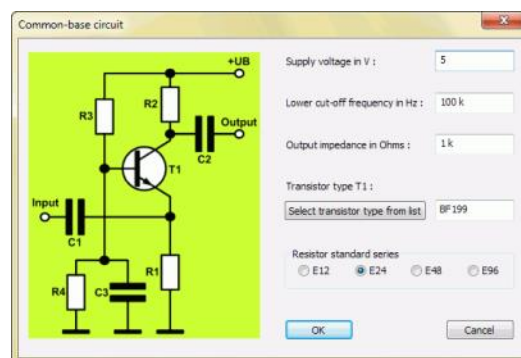


I'm a sucker for free stuff. Below, you'll find links to a free transistor amplifier design program, a free printed circuit board design program, and a free tutorial on antennas. All of these look to be worth a look.

TransistorAmp 1.1

This is free software for designing bipolar transistor amplifiers. I found the link to this software (<http://en.transistoramp.de/>) on the AMRAD mailing list. Phil, M1GWZ, who posted the link, says, "A transistor circuit that I'm developing needed a 5x voltage gain stage. I could have thrown in a single op amp with split power rails and all that DIL8 real estate, but a single transistor stage would suffice. Trouble is, I'm an EE by inclination, not training, and all those calculations - working out those capacitor reactance values - well, I don't do them often enough for them to be easy. And I want voltage gain, not current. And then I found Transistor Amp 1.1."

"It's a nice piece of software," says Phil, "It installs easily and did the job for me quickly and easily. Oh, and when I built the circuit for real - voltage gain of 5x!"



Altium CircuitMaker

CircuitMaker (<http://www.circuitmaker.com>) is a free printed circuit board design tool for hobbyists, people like you and me. Maxfield Parrish of EETimes says, "one key aspect of CircuitMaker is its intuitive and easy-to-use interface -- all of the important "stuff" is presented in an easily accessible manner in a ribbon at the top of the display. Another major consideration is that Altium has decided to make CircuitMaker all about "Community," so users can easily share ideas and designs, comment on designs and offer suggestions for improvement, and generally help each other along the way."

Free antenna tutorial

For a limited time, Rohde & Schwartz and the IEEE Communications Society are offering a free tutorial on Antenna Basics (<http://www.comsoc.org/form/tutorial-registration-antenna-basics>). This tutorial explains the basic functionality of an antenna, starting with Hertz's antenna model. It also includes a short introduction to the fundamentals of wave propagation, the important general characteristics of an antenna and parameters, such as antenna gain, radiation pattern, bandwidth or VSWR. A more detailed explanation of the functionality of some selected antenna types (e.g. dipole or monopole) is also given.

Z e r o B e a t

Maik Reckeweg, Product Manager Antennas, Rohde & Schwarz GmbH, Munich, Germany, who is responsible for all the company's monitoring, measurement and communications antennas is the tutorial's.

The video is kind of dry, but I think Reckeweg does a pretty good job of discussing antenna basics. The video is also accompanied by a white paper that delves into these topics a little more completely. Overall, there's a bit more math than in most amateur radio discussions of antennas, but this makes the discussion a little more comprehensive.

When not scouring the Internet for free stuff, you'll find KB6NU working on updates to his "No Nonsense" study guides, working CW on 40m, or blogging about amateur radio at www.kb6nu.com.

Customer Appreciation Day
R&L Electronics
Saturday December 6, 2014, 10AM – 4PM

Prizes this year:
1—Kenwood TS590S
\$350 in Yaesu Gift Certificates
\$325 in Icom Coupons
MFJ-269 and many more!

Manufacturers scheduled to attend this year:
Ameritron, Cushcraft, Heil, Hygain, Icom, Jetstream, Kenwood, MFJ, Mirage, Vectronics and Yaesu.

Must be present to enter drawing. You do not need to be present to win any prize valued over \$20.

KENWOOD
YAESU The radio

HEIL SOUND **ICOM** **MFJ**

JETSTREAM



Above - Here's Tony, KD8BBK at the November PCARS meeting. He's holding is first place plaque for OSPOTA 2014. Congratulations Tony! TNX Parky, KB8UUZ for the picture



Left - is a picture from the 50th anniversary party which was held recently for Smitty (KC8TJQ) & Esther. TNX to K8OMO for the picture



Who will be the
Alliance Amateur
Radio Club's

2014

Ham of the Year?

This honor will be awarded at our
Annual Christmas Party

Alliance Amateur Radio Club
Christmas Party

December 20, 2014 at 6 PM
at

Don Pancho's Tex-Mex café

2105 W. State St
Alliance

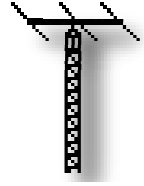
Don't forget the annual AARC Prize drawing!

We will be ordering from Don Pancho's regular
menu. Meals will be at regular prices plus \$4.00.

No reservations required!

"The Night Before Christmas", Ham Radio-style

Twas the night before Christmas, when all through the town,
The snowstorm was raging, the phone lines were down;
The wind it did howl, the tree limbs did crack,
I hope that St. Nick isn't forced to turn back.



The wife making cookies, the kids making noise,
While away in the shack, by my rig I was poised.
The finals were glowing, the mike gain was set,
I was chasing DX to see what I could get.

The bands were all empty, the frequencies clear,
Except one lone station that sounded quite near.
He was calling CQ and my interest did pique,
When he ended transmission with the words,
"Old St. Nick".

I answered back quickly, I used great dispatch,
If this were St. Nicholas, good God, what a catch!
We exchanged information, it was really quite graphic,
Then he came back and said,
"I've emergency traffic!"

His reindeer were tired, his elves in a grump,
If he didn't land soon, then his sleigh he would dump.
I thought very carefully, I thought very hard,
Then I gave him directions to my snow covered yard.



As he flew past my window, his hair like a mane,
He reined in his chargers and called them by name:
"Whoa, Anode! Whoa, Cathode! Whoa, Zener! Whoa, Diode!
Stop, Heater! Stop, Grid leak! Stop, Bias! Stop, Triode!"

You're flying too low! you're flying too fast!
Look out, you dumb reindeer, his antenna mast!"
So into the backyard the reindeer did drop,
St. Nick, the elves, and the sleigh went kerplop!



Then at the back door, I heard this loud knocking,
"Open up in there, or I won't fill your stocking!"
As I turned off the light and was leaving the shack,
Into the house Saint Nicholas came from the back--

His two-meter rig held to his hip with a strap,
"Hams do it in the shack" on the front of his cap.

The sack that he carried made his aged brow furrow,
And he handed me a card that read,
"QSL Via Bureau".

His clothes were all sooty, from his shoes to his vest;
I felt like a novice taking his test.
His fingers were calloused and from what I could tell,
This came from a straight key that I'll bet he used well.

I offered him coffee, I offered him smokes,
I tried easing the tension by telling ham jokes.
Then he nodded his head and raised up his thumb,
He smiled like an Elmer, did I ever feel dumb.



He grabbed up his sack and went straight for the tree,
And placed in it a large present for me.
When he finished his work, he stood up, took a bow,
Then out the back door to his team he did plow.
But I heard him exclaim as he flew o'er the land,
"Beware the FCC, friend, we were both out of band!"

December 2014

Sunday	Monday	Tuesday	Wednesday	Thursday	Friday	Saturday																																																																																																															
	<i>1</i>	<p style="text-align: center;"><i>2</i></p> <p>7:00 PM Stark Cty ARES Net (147.12) 9:00 PM Northern Columbiana Cty Training Net (147.255)</p>	<p style="text-align: center;"><i>3</i></p> <p style="text-align: center;">Sam, KC8ETZ Birthday</p>	<p style="text-align: center;"><i>4</i></p> <p>8:00 PM AARC CW (28.100 MHz) 8:30 PM AARC SSB(28.400 MHz) 9:00 PM AARC VHF (145.37(-))</p>	<i>5</i>	<i>6</i>																																																																																																															
<i>7</i>	<i>8</i>	<p style="text-align: center;"><i>9</i></p> <p>7:00 PM Stark Cty ARES Net (147.12) 9:00 PM Northern Columbiana Cty Training Net (147.255)</p> <p style="text-align: center;">Gary, KD8QFH Birthday</p>	<p style="text-align: center;"><i>10</i></p> <p>7:30 PM AllianceARC Meeting</p>	<p style="text-align: center;"><i>11</i></p> <p>8:00 PM AARC CW (28.100 MHz) 8:30 PM AARC SSB(28.400 MHz) 9:00 PM AARC VHF (145.37(-))</p>	<p style="text-align: center;"><i>12</i></p> <p>8:00 PM Massillon Net (147.18)</p>	<i>13</i>																																																																																																															
<i>14</i>	<i>15</i>	<p style="text-align: center;"><i>16</i></p> <p>7:00 PM Stark Cty ARES Net (147.12) 9:00 PM Northern Columbiana Cty Training Net (147.255)</p>	<i>17</i>	<p style="text-align: center;"><i>18</i></p> <p>8:00 PM AARC CW (28.100 MHz) 8:30 PM AARC SSB(28.400 MHz) 9:00 PM AARC VHF (145.37(-))</p>	<p style="text-align: center;"><i>19</i></p> <p>8:00 PM Massillon Net (147.18)</p>	<i>20</i> AARC Christmas Party																																																																																																															
<i>21</i>	<p style="text-align: center;"><i>22</i></p> <p style="text-align: center;">Jessie, KD8KDK BD</p>	<p style="text-align: center;"><i>23</i></p> <p>7:00 PM Stark Cty ARES Net (147.12) 9:00 PM Northern Columbiana Cty Training Net (147.255)</p>	<i>24</i>	<p style="text-align: center;"><i>25</i></p> <p>8:00 PM AARC CW (28.100 MHz) 8:30 PM AARC SSB(28.400 MHz) 9:00 PM AARC VHF (145.37(-))</p>	<p style="text-align: center;"><i>26</i></p> <p>8:00 PM Massillon Net (147.18)</p>	<i>27</i>																																																																																																															
<i>28</i>	<i>29</i>	<p style="text-align: center;"><i>30</i></p> <p>7:00 PM Stark Cty ARES Net (147.12) 9:00 PM Northern Columbiana Cty Training Net (147.255)</p>	<i>31</i>	<table border="1" style="margin: auto; border-collapse: collapse;"> <thead> <tr> <th colspan="7" style="text-align: center;">Nov 2014</th> </tr> <tr> <th style="text-align: center;">S</th> <th style="text-align: center;">M</th> <th style="text-align: center;">T</th> <th style="text-align: center;">W</th> <th style="text-align: center;">T</th> <th style="text-align: center;">F</th> <th style="text-align: center;">S</th> </tr> </thead> <tbody> <tr> <td></td> <td></td> <td></td> <td></td> <td></td> <td></td> <td style="text-align: center;">1</td> </tr> <tr> <td style="text-align: center;">2</td> <td style="text-align: center;">3</td> <td style="text-align: center;">4</td> <td style="text-align: center;">5</td> <td style="text-align: center;">6</td> <td style="text-align: center;">7</td> <td style="text-align: center;">8</td> </tr> <tr> <td style="text-align: center;">9</td> <td style="text-align: center;">10</td> <td style="text-align: center;">11</td> <td style="text-align: center;">12</td> <td style="text-align: center;">13</td> <td style="text-align: center;">14</td> <td style="text-align: center;">15</td> </tr> <tr> <td style="text-align: center;">16</td> <td style="text-align: center;">17</td> <td style="text-align: center;">18</td> <td style="text-align: center;">19</td> <td style="text-align: center;">20</td> <td style="text-align: center;">21</td> <td style="text-align: center;">22</td> </tr> <tr> <td style="text-align: center;">23</td> <td style="text-align: center;">24</td> <td style="text-align: center;">25</td> <td style="text-align: center;">26</td> <td style="text-align: center;">27</td> <td style="text-align: center;">28</td> <td style="text-align: center;">29</td> </tr> <tr> <td style="text-align: center;">30</td> <td></td> <td></td> <td></td> <td></td> <td></td> <td></td> </tr> </tbody> </table> <table border="1" style="margin: auto; border-collapse: collapse;"> <thead> <tr> <th colspan="7" style="text-align: center;">Jan 2015</th> </tr> <tr> <th style="text-align: center;">S</th> <th style="text-align: center;">M</th> <th style="text-align: center;">T</th> <th style="text-align: center;">W</th> <th style="text-align: center;">T</th> <th style="text-align: center;">F</th> <th style="text-align: center;">S</th> </tr> </thead> <tbody> <tr> <td></td> <td></td> <td></td> <td></td> <td></td> <td style="text-align: center;">1</td> <td style="text-align: center;">2</td> </tr> <tr> <td style="text-align: center;">3</td> <td style="text-align: center;">4</td> <td style="text-align: center;">5</td> <td style="text-align: center;">6</td> <td style="text-align: center;">7</td> <td style="text-align: center;">8</td> <td style="text-align: center;">9</td> </tr> <tr> <td style="text-align: center;">10</td> <td style="text-align: center;">11</td> <td style="text-align: center;">12</td> <td style="text-align: center;">13</td> <td style="text-align: center;">14</td> <td style="text-align: center;">15</td> <td style="text-align: center;">16</td> </tr> <tr> <td style="text-align: center;">17</td> <td style="text-align: center;">18</td> <td style="text-align: center;">19</td> <td style="text-align: center;">20</td> <td style="text-align: center;">21</td> <td style="text-align: center;">22</td> <td style="text-align: center;">23</td> </tr> <tr> <td style="text-align: center;">24</td> <td style="text-align: center;">25</td> <td style="text-align: center;">26</td> <td style="text-align: center;">27</td> <td style="text-align: center;">28</td> <td style="text-align: center;">29</td> <td style="text-align: center;">30</td> </tr> <tr> <td style="text-align: center;">31</td> <td></td> <td></td> <td></td> <td></td> <td></td> <td></td> </tr> </tbody> </table>		Nov 2014							S	M	T	W	T	F	S							1	2	3	4	5	6	7	8	9	10	11	12	13	14	15	16	17	18	19	20	21	22	23	24	25	26	27	28	29	30							Jan 2015							S	M	T	W	T	F	S						1	2	3	4	5	6	7	8	9	10	11	12	13	14	15	16	17	18	19	20	21	22	23	24	25	26	27	28	29	30	31						
Nov 2014																																																																																																																					
S	M	T	W	T	F	S																																																																																																															
						1																																																																																																															
2	3	4	5	6	7	8																																																																																																															
9	10	11	12	13	14	15																																																																																																															
16	17	18	19	20	21	22																																																																																																															
23	24	25	26	27	28	29																																																																																																															
30																																																																																																																					
Jan 2015																																																																																																																					
S	M	T	W	T	F	S																																																																																																															
					1	2																																																																																																															
3	4	5	6	7	8	9																																																																																																															
10	11	12	13	14	15	16																																																																																																															
17	18	19	20	21	22	23																																																																																																															
24	25	26	27	28	29	30																																																																																																															
31																																																																																																																					



Dear club leader,

I'm excited to announce that DX Engineering is welcoming Martin F. Jue K5FLU and his MFJ family of companies to our headquarters near Akron, Ohio. We're calling it "MFJ Day at DX Engineering," and I'm extending an invitation to you and your club members. It will be held on Saturday, January 10th from 9am to 2 pm, at our showroom inside the Summit Racing Retail Super Store at 1200 Southeast Ave. in Tallmadge, Ohio.

Shake off the Winter doldrums and make some eyeball QSOs. We'll also open up our warehouse, so you'll be able to get super deals on open-box gear. Plus, all MFJ brands—Ameritron, Cushcraft, Hy-Gain, Mirage, MFJ, and Vectronics—will be on sale.

Watch for more details at DXEngineering.com and on our Facebook page. In the meantime, add the date to your calendar of events and spread the word to your club members and friends. I hope to see you here!

Have a great holiday,

73,
Tim K3LR

Tim Duffy K3LR
Chief Marketing Officer and General Manager

DX Engineering
1200 Southeast Ave.
Tallmadge, OH 44278 USA
330.572.3200
DXEngineering.com

Alliance Amateur Radio Club
P.O. Box 3344
Alliance, OH 44601

This Months Meeting

will be on Wednesday,

December 10th in the Café
Conference Room at:

**Alliance
Community hospital**
200 E. State St
Alliance, OH.

Our meeting will begin at
7:30PM

**This months program
will be
"Your Most Memorable
QSO"**

More information can be found
on pg. 1.
Feel free to Join us for dinner
beforehand at

**Frank's
Family Restaurant**
480 E. State St, Alliance

Newsletter Information

The Zero Beat is a
publication of the
**Alliance Amateur Radio
Club**
P.O. Box 3344
Alliance, OH 44601

Unless otherwise noted,
permission is granted to
reprint portions of the Zero
Beat, as long as credit is
given to the author &
source.

You can submit material
to the Zero Beat via e-mail
to

kd8mq1@gmail.com

Table of Contents

A Ham's Night Before Christmas	14
Alliance ARC DX Contest	8
ARRL Has New Elmer Award	6
Calendar	16
Cell Phone Recycle	9
Christmas Party	13
Club Info	2
Contact Us	2
DX Engineering To Hold MFJ Day	17
Field Day Results	9
Free Stuff	11
Ham Memories	1
KD8BBK—OSPOTA	12
Meeting Announcement	14
Minutes	3
Net Info	2
Officers	2
Paper Chase	10
R & L Customer Appreciation Day	12
Rambling by KD8MQ	7
Repeater Info	2
Smitty & Esther 50th anniversary	12
Swap & Shop	5
Wayback Machine	5