



Celebrating Our 25th Anniversary!

Volume XXVI, no 4

<http://www.w8lky.org>

April 2012

Serving the Tri-County area since 1986

Table of Contents

\$20 SDR	12
Brazil Bans PYOS	14
Calendar	19
Contact Us	2
Club Info	2
A Cry for Help on Ham Radio	17
Design the club QSL!	11
Dues are Due	4
Fox Hunt Results	15
Fox Hunt Schedule	15
Hamvention Bus Trip	16
History Lesson	14
K8LTG SK	1, 6, 7, 8, 9
KB6NU Column	12
March Minutes	3
Meeting Announcement	1
Membership App	18
Net Info	2
New Members & Upgrades	4
Ohio QSO Party	13
QST Goes Digital	10
Rambling by KD8MQ	2
Serial Cable Mystery	15
Stark County VHF QSO Party	4,5
W1AW Schedule	10
Wayback Machine	20

Jim, K8LTG SK!



Jim, K8LTG, at the 2010 AARC Homebrew night.

Meeting Announcement

Our next meeting will be on Wednesday, April 11th, 2012 at the Alliance Community Hospital, in the Cafe conference room. Our meetings begin at 7:30 PM

This month's program will be a short video.

Before the meeting, you're invited to join us at 6pm for dinner.

This month, we'll be meeting for dinner at the **Alliance Family Restaurant**, 428 E. State St.

Another of our long-time supporters has passed away. Jim, K8LTG, who had a heart as big as all outdoors left us on Friday, March 16th.

There's a lot to tell about Jim; a lot of which I didn't know until after his death.

In this issue, we are

going to print your remembrances of him, as well as a few pictures.

We can only pray that somehow, somewhere, Jim will read these words, and know how loved he was.

Thanks to all who contributed to this issue.

Officers

President

KD8MQ
John Myers
910 West Mill St.
Alliance, OH 44601
kd8mq@neo.rr.com
330-936-5021

Vice-President

K8DXR
Howard Miller
10626 Dot Ave.
Alliance, OH 44601
hmliller32@neo.rr.com
330-821-9392

Secretary

AB8KV
Donald R Kingan
446 West High St.
Alliance, OH 44601
dkingan@neo.rr.com
330-821-5819

Treasurer

KB8IVS
Mary Ann Royer
6255 Sandalwood NE
Canton, OH 44721
kb8ivs@aol.com
330-492-0703

Trustees

WA8WHP
Frank Sanor
2142 Blenheim Ave
Alliance, OH 44601
wa8whp@juno.com
330-206-2639

KD8BBK
Tony Shillig
8980 Paris Ave
Louisville, OH 44641
kd8bbk@aol.com
330-875-0085

KD8KMQ
Ben Davis
4561 Anderson Ave, NE
Homeworth, OH 44634

Editor

John Myers, KD8MQ
(See above)

Rambling

By John, KD8MQ

Hi everyone. Welcome to the April issue of the Zero Beat.

Tonight, I was writing in my journal about how the upcoming newsletter would practically write itself. Unfortunately, this was due to the passing of Jim, K8LTG. There has been such an outpouring of remembrances sent to me that this newsletter may be a record 30 pages. Since this column is usually the first one I write, I don't know yet what the page count will be.

Club Meeting - This may be one of the most important club meeting we'd had for a while. If you haven't been to a meeting for a few months, please plan on attending this one.

Certificate/QSL competition has been extended for a month—We've extended this competition for a month, since we only got a couple entries. Come on, folks; I know there's more of you out there with artistic ability. If you aren't artistic, how about your XYL, significant other, grandkids, etc? There is some great potential in this club, if we just get started. 25 years is no small trick. We wouldn't have made it this far without the hard work of a lot of folks. Let's keep the momentum going!

Show us your shack! Yes, I'm still accepting input for this feature. I'd like to post some shack pictures of my own, but I but it may be a while. I've progressed from the "living out of boxes" phase to the "set up the shack" phase, and now am in the "boxes have taken over the shack" phase. I haven't seen the rig for some time. I assume it is somewhere on the desk.

AARC General classes are almost wrapped up. We ran over a bit on this session. But the good news is that we've had three students pass their general, and test out.

The 3rd Annual Stark County VHF QSO Party is coming up on April 7th. I hope to work several of you on two meter simplex. I'll be mobile somewhere in stark county.

That's all I have for this month. I hope to see you at the next meeting.
73, de John, KD8MQ

Meetings

The Alliance Amateur Radio Club meets on the Second Wednesday of each month. Check the meeting announcement on page 1, for the location. Talk-in is on 145.37 ®. Meetings begin at 7:30 PM. Visitors are always welcome.

Nets

Thursday is our "net night," with the following nets held:

Ten meters

CW @ 8PM on 28.400 MHz
SSB @ 8:30PM on 28.400 MHz

2 meters

9 PM on 145.37 MHz

The Homeland security Net meets on the last Tuesday of the month, at 8:00 PM, on 147.51 simplex

Internet

Web: www.w8lky.org

E-mail: W8lky@w8lky.org

We are also on Facebook!

Newsletter Information

The Zero Beat is a publication of the
Alliance Amateur Radio Club
P.O. Box 3344
Alliance, OH 44601

Unless otherwise noted, permission is granted to reprint portions of the Zero Beat, as long as credit is given to the author & source.

You can submit material to the Zero Beat via e-mail to kd8mq1@gmail.com

March Minutes

March 14, 2012

The regular meeting of the Alliance Amateur Radio Club was held on March 14, 2012 at 7:30 PM in the first floor conference room of the Alliance Community Hospital with club President John Myers (KD8MQ) presiding. The pledge of allegiance was recited followed by introductions. There were 14 members present along with Miriam Sanor and guests Paul Richardson (KA8NME), Sue Richardson, Ted Armstrong (K8TWA), Rick Swain (KK8O) and Mike Collins (KD8RUQ).

President John announced birthdays for the month which included Ron Gwynne (WC8F), Mary Ann Royer (KB8IVS), Don Whitaker (K8OMO) and Charles Fitzsimmons (N8LGE).

Secretary Don (AB8KV) gave the Secretary's report which this month consisted of noting that the February minutes were in the newsletter and his thanking Frank Sanor (WA8WHP) for recording the February meeting in his absence. The report was then approved on a motion by Tom (KD8JRK) and seconded by Frank.

Treasurer Mary Ann (KB8IVS) then gave the

Treasurer's report which was approved on a motion by Gladys (KB8GIA) and seconded by Joe (KC8TAC).

Announcements:

- President John inquired about those who had attended the recent Skywarn training. A number of members attended and had positive comments, including noting that a new glossy booklet was issued.

- John announced the program for the evening was on the ARRL Official Observer corps given by Rick Swain, the Official Observer Coordinator for Ohio.

- Frank noted that another Elder-Beerman fund raiser book sale was coming up and raised the question about whether there was any interest in pursuing it. After some discussion, the majority opinion was to not participate.

Committee reports:

- Don (K8OMO) noted that the previous Homeland Security Net had nine check-ins from five counties.

- John reported that the General licensing classes were proceeding with 7 students and have covered the first four chapters so far.

Old business:

- Frank noted that this meeting was to mark the end of the contest for creat-

ing a QSL card/certificate for the club's 25th anniversary this year. However, only two entries had been received, so he asked the question about extending the time for receiving entries. After discussion, Tom made a motion to extend the contest a month, with Don (AB8KV) seconding the motion, which was approved on a voice vote.

- John then reminded the club about the Pioneer bus trip to the Dayton Hamvention, encouraging members who were planning to go to Dayton to sign up for the bus. After April 24, the price drops to \$50, but does not include the admission ticket. Ted then added that the application form is on Pioneer's web site and that a medical form is also there and is required to be completed.

New business:

- President John addressed the topic of initial plans for this year's Field Day. The first issue was deciding on the site. The two initial possible sites considered were the Sebring campground and the Marlinton Middle School. Discussion followed, with the conclusion being a motion by Frank to hold Field Day at the Sebring campground. This was seconded by Don (K8OMO) and approved by a voice vote.

March Minutes— cont.

•John asked the club if it was desired to try to reserve the cabin at Silver Park for the June meeting, combining it with a picnic. The general feeling was yes, so a motion was made to do so by Tom, seconded by Frank, with the motion approved by a voice vote.

•Frank then asked if the upcoming Stark County VHF QSO party was scheduled before the April club meeting. John verified that it was, to be held on Saturday, April 7 from noon to 6 PM local time. John then addressed the issue of the W8LKY bonus station. He noted that what is needed are volunteers to man the station for shorter fixed intervals instead of having one or two individuals spending long hours at the mike. John then reminded the club that the web site has a link to the rules listing, and encouraged members to participate in this year's contest.

With no further items to cover, the business meeting was closed at 8:06 PM. After the break, Rick Swain presented the program for the evening. The meeting adjourned at 9:30 PM.

Minutes respectfully submitted by Don (AB8KV), Secretary.

Stark County VHF QSO Party

What would you do if your local repeater bit the dust? How about, if it went offline during an emergency? Would you be able to communicate efficiently using FM simplex?

Well, it's time for some practice, 2012 marks the AARC's 3rd running of the Stark County VHF QSO Party.

The last couple of events have been loads of fun, with lots of signals on the band; some mobile, some portable, some fixed.

This year's contest is on Saturday, April 7th, from 12—6 PM. Look for the contest flyer in this issue of the Zero Beat.

Contest info can be downloaded from the website at www.2mcontest.w8lky.org/

We're hoping for a great turnout this year.

New members, & Upgrades

Let's start this month by welcoming a new member, Ted Armstrong, K8TWA. Ted is the VEC Liaison for Stark County, in the absence of John, W0OZZ.

We have some new hams, and upgraded Hams to congratulate this month.

First, is Mike, KD8RUQ. Mike is a Barber, and has been studying for his General license.

Next, we have Paul, KA8NME, who has gone from Novice to Tech, and on to General. Paul has already applied for a vanity call sign.

Steve, KB8RFE, and Patty, KB8QWH report that they've passed their General exams.

Congratulations to all. We know you'll find the hard work was worth it!

Dues are Due

If you haven't paid your dues, your club membership is already overdue. My apologies for bringing this to your attention in the last couple newsletters. But, it's that time again.

Deadline for payment of dues is April 1st. Our annual year runs from April 1st through March 31.

The club sponsors a lot of activities, and we are fortunate to have a lot of members whose dona-

tions help to defray the expenses.

Please renew, and just as important, how about encouraging your friends to join?

There's a renewal in this issue of the Zero Beat. Mary Ann, KB8IVS will be more than happy to handle your renewal, either at the next meeting, or via mail. Her address is on the application/renewal form.

Stark County VHF QSO Party



Make as many contacts as you can on 2 Meter FM Simplex!

Stark County contacts are worth **2 Pts**,
all others are worth **1 Pt!**

36 Multipliers!

Bonus Stations Will Be On The Air!

Download Entry forms, Rules, and Information at:

<http://www.2mcontest.w8lky.org/2012packet.pdf>,

or

e-mail: 2mcontest@w8lky.org!

Sponsored by:

The Alliance Amateur Radio Club

w8lky@w8lky.org

www.w8lky.org

Jim, K8LTG SK From KD8MQ, WA8WHP, & KD8JRK

From KD8MQ

Even though, I have as much space as I want elsewhere in this issue, I'm invoking editors privilege, and starting off this compilation of remembrances.

What can I say about Jim? I first met him in person, in 1975. He, and Frank, WA8WHP were teaching Novice classes at the Quonset hut behind the Alliance armory.

Jim was first licensed in 1955. He let his license lapse, and in 1981, he was re-licensed as N8DZA; a call-sign he carried until 1996, when he regained K8LTG under the Vanity licensing system.

He liked to tell of the time as a teenager when he, and a friend assembled spark gap transmitters from plans in an ancient book of radio plans. This prompted a visit from the FCC.

When the Alliance club was "reformed", in the mid 1980's, Jim was there, as one of the charter members.

Over the years, Jim went on to serve four 3 year terms as club trustee, 2½ years as club newsletter editor. Jim was also our very first Ham of the Year.

In 1987, when things were not looking good for the future of the 145.37 repeater, Jim stepped in, and purchased it from Larry, N8EWV. His desire was that the machine remain as a fo-

cal point of the club.

In the early 1990's, Jim stepped in to help Bill Martikan, KF8JD, with licensing classes at the YMCA. Several kids became licensed because of Jim's work.

There's no doubt that Jim's passing leaves a huge hole in this club. 73 jim, You will be missed!

From KD8JRK

I first met Jim when The Computers Alliance was formed. He was there showing his skills using a Commodore 64 computer on various areas.

Also displayed his skill using the Commodore with Ham Radio.

Came across Jim several times when the Radio club was demonstrating at The Carnation Mall.

Got to know him more as I got involved with The Alliance Amateur Radio club. Listened to him speak during the meetings and at field day.

I will miss Jim very much. Saddens me with him



Jim, K8LTG, and Tony, K8BBK
at the 2011 OHQP Event



Jim in his shack, taken in January

now being a silent key.

73's

Tom, KD8JRK

From WA8WHP

I originally met Jim in 1958 at the classes he was helping teach at Memorial Hall basement at Mount Union College. He was the start of many amateur radio operator's careers.

Jim, K8LTG SK by John Molesky, N8PLA

We all know Jim, but I would like to tell you some of the things about Jim that you may not know. Some of his accomplishments, some of his stories, some of the things he liked.

Jim was a precise individual. He was a bit of a perfectionist but he still knew when it was close enough, or good enough.. He was a little hard to work with because he liked feeling the sense of accomplishment in a job well done.

He liked to view what others had done in farm equipment repair, intricate assemblies, tools and electronic equipment. He would ask questions review what they did and compliment them on their work.

Jim liked to go to farm tractor shows, plow ins, flea markets and ham fests to pick up some part he needed or just look over what others had done. At farm tractor shows he liked all colors, all makes, all sizes, all periods and histories.

He especially liked the Allis Chalmers model "B". pre World War II was his favorite. He owned 2 of these keeping them running like new. He was also working on 2 model "A" Fords, (a car and truck), 3 sickle bar mowers, a corn planter, 4 BMW motor cycles, a John Deere model "A" tractor, a baler and a few other things. Even with all these projects he

would take time off his projects to help others without complaining. He helped me rebuild a carburetor and a automotive distributor. Many others have told me of such help given freely.

In my church we have something called stewardship. This is giving freely of our time, our talents and our fortunes. Jim lived by this philosophy. He gave his time to train new Hams, His talents to help others repair or install equipment both electronic and motorized. His fortunes to purchase and maintain the 2 meter repeater and a 440 repeater. This was given so others in the area could use them and for emergency service.

Jim was talented, He once tried parachuting, flew sail planes, flew remote control sail planes and boats. Trapped muskrats from Deer Creek, shot muzzle loaders and enjoyed hunting rabbits. Jim liked traveling on his motor cycle going to far away places, He once told me there were only 2 states he hadn't been to; one was Hawaii the other like North Dakota.. Hawaii is a little hard to get to by motor cycle.

He even went deep into southern Mexico on his motor cycle. As most of you know Jim built most of his early Ham equipment and was still building equipment at his passing.

Jim had a sense of

humor. One time while at a tractor show observing a display of pre 1900 clothes washing equipment, A young couple moved over in hearing range Jim said loudly " Wow just look. Today's women shouldn't complain about doing the laundry." Just to see there reaction.

Jim, it has been my pleasure to be your friend. You were like a brother to me without being a brother. I would like to steal a line from "Golden Girls" and say Thank you for being my friend.

Written by John Molesky N8PLA



Jim, K8LTG at the 2011 AARC special event sta-



Jim, K8LTG assisted by Don, K8OMO (left), and Tony, KD8BK (right)

Jim, K8LTG SK From Don, K8OMO

Well, guess I should say something about Jim K8LTG.

I've really been affected with his passing more than any other, seems things for me revolved around Jim.

The repeaters and talking about Ham Radio in general. We could always discuss problems with equipment, flying airplanes, motorcycles, CW, and problems with other people that affected our lives. Now can't do that.

Time will pass but we will have our memories of the Good Old Days.

I can remember when a few of us were out flying our remote control gliders and Jim and I were standing right next to each other, circling around with the Hawks, they liked to defend their place in the Sky so they would circle around with us.

Jim has his eye on his plane and I was next to him a little higher.

Every time he turned to circle so did I so we wouldn't hit each other. Well, as it happens I think Jim got mixed up with the planes so high and thought he was flying mine.

Pretty soon, I noticed his plane went West and fell out of the circle. I started to say something to Jim, but he was intense on flying and you didn't want to bother him so I didn't say anything at first. But, pretty soon over

his back went his plane and he was still looking at mine HEE HEE.

Well, to make a long story short I found his plane a half mile away tail up in a dirt pile.

Needless to say, there were a few comments made like why didn't you say something, etc etc



**Tony, KD8BBK on tower,
Jim, K8LTG, and
Don, K8OMO on ground.
Jerry, KG8RN in background**



Jim, K8LTG at 2011 special event

Jim, K8LTG SK **From Smitty, KC8TJQ**

Smitty, KC8TJQ would like to express his appreciation for everyone who checked in on the net on March 22nd. That net session didn't start out to be dedicated to Jim, but it sure turned out that way. The net turned into an impromptu memorial for Jim, K8LTG. That net lasted quite a while, with everyone taking time to memorialize, and tell stories on Jim.

Smitty would like to thank the following for checking in. We had an especially good turnout that night.

- Ted, KB8PRK
- Dave, N8GOB
- Rick, KC8SUI
- David, N8NLZ
- Andy, AC8JR
- Mary, KD8RFZ
- Tomas, KC8ZEH
- Tom, KB8DUX
- Carl, K7CE
- Jeff, KD8QCF
- Tom, KD8JRK
- Don, K8OMO
- George, KC8JIY
- Tony, KD8BBK
- Don, AB8KV
- Mike, KD8RUQ

How I became a Ham **by Jim, K8LTG (SK)**

I became interested in Electricity and eventually Radio about 1952 or 53. I tore apart old motors and other electrical devices and used the wire to make electro-magnets ,small motors and generators.

My only source was books obtained from the bi-weekly visits of the Bookmobile. I did a lot of begging for more advanced books reserved for the mature folks. It was a continual struggle to obtain books considered too advanced for me to understand. My friend and I managed to obtain a Radio handbook with the latest on spark gap and early vacuum tube theory for transmitting. It was not long before we managed to get some model T coils, brass door knobs, carbon rods from large dry cell batteries, variable capacitors and wire for coils. A couple of galena rocks were made into detectors using steel wire from old switches for contacts. Ralph and I learned the morse code so we could get on the air. The signals were pretty good over the half mile that separated us. We could not figure out why we could not hear other Ham signals, which we diligently listened for. We would try making and adjusting various

loose couplers and everything else but to no avail, no one ever came back to our signals. TV was starting to enter our lives and it was not long before the neighborhood surmised the cause of TV blackout.

Upon returning home from school one day I was introduced to a gentleman by my father. I was instructed to show him my ham apparatus and to demonstrate it. I made about two dits and was instructed to cease operations! The person involved was a Mr. Joseph Cotton , FCC Engineer in charge, who I was to meet a few years later when I became an engineer for WSOM.

Needless to say I disassembled my wonderful station and in 1958 tested for an official Amateur radio ticket duly issued by the F.C.C. The station was still home constructed using parts found on various community dumps, which were a treasure trove of old radio parts in those times.

Strangest thing about the whole event was that suddenly the library started to bring books with a lot more modern information but they were sure more complicated! As they say the rest is history.

**QST
Goes
Digital!**
Archive To Include
All Issues Of QST!

In addition to the print copy of *QST*, all members will have access to an online, digital edition of *QST* at no extra cost. You will be able to access *QST* from anywhere--on nearly any computer, laptop, mobile device, smart-phone and tablet (including Apple iPad, iPhone, and devices using the Android operating system).

Also in June, members will gain access to archived issues of *QST* from December 1915 to the present (previously, only issues through 2007 were available to members). If you are familiar with the current periodicals archive (which serves images of pages), that platform will be expanded to include all of *QST* from December 1915 through December 2011.



**W1AW Spring/Summer
Operating Schedule**

Morning Schedule:

<u>Time</u>	<u>Mode</u>	<u>Days</u>
1300 UTC (9 AM ET)	CWs	Wed, Fri
1300 UTC (9 AM ET)	CWf	Tue, Thu

Daily Visitor Operating Hours:

1400 UTC to 1600 UTC - (10 AM to 12 PM ET)
1700 UTC to 1945 UTC - (1 PM to 3:45 PM ET)

(Station closed 1600 to 1700 UTC (12 PM to 1 PM ET))

Afternoon/Evening Schedule:

<u>Time</u>	<u>Mode</u>	<u>Days</u>
2000 UTC (4 PM ET)	CWf	Mon, Wed, Fri
2000 " "	CWs	Tue, Thu
2100 " (5 PM ET)	CWb	Daily
2200 " (6 PM ET)	DIGITAL	Daily
2300 " (7 PM ET)	CWs	Mon, Wed, Fri
2300 " "	CWf	Tue, Thu
0000 " (8 PM ET)	CWb	Daily
0100 " (9 PM ET)	DIGITAL	Daily
0145 " (9:45 PM ET)	VOICE	Daily
0200 " (10 PM ET)	CWf	Mon, Wed, Fri
0200 " "	CWs	Tue, Thu
0300 " (11 PM ET)	CWb	Daily

Frequencies (MHz)

CW:

1.8025 3.5815 7.0475 14.0475 18.0975 21.0675 28.0675 147.555

DIGITAL:

3.5975 7.095 14.095 18.1025 21.095 28.095 147.555

VOICE:

1.855 3.990 7.290 14.290 18.160 21.390 28.590 147.555

Notes:

- CWs** = Morse Code practice (slow) = 5, 7.5, 10, 13 and 15 WPM
- CWf** = Morse Code practice (fast) = 35, 30, 25, 20, 15, 13 and 10 WPM
- CWb** = Morse Code Bulletins = 18 WPM

(Continued on page 11)

W1AW Spring/Summer Operating Schedule - cont.

(Continued from page 10)

CW frequencies include code practices, Qualifying Runs and CW bulletins.

DIGITAL = BAUDOT (45.45 baud), BPSK31 and MFSK16 in a revolving schedule.

Code practice texts are from QST, and the source of each practice is given at the beginning of each practice and at the beginning of alternate speeds.

On Tuesdays and Fridays at 2230 UTC (6:30 PM ET), Keplerian Elements for active amateur satellites are sent on the regular digital frequencies.

A DX bulletin replaces or is added to the regular bulletins between 0000 UTC (8 PM ET) Thursdays and 0000 UTC (8 PM ET) Fridays.

Audio from W1AW's CW code practices and CW/digital bulletins is available using EchoLink via the W1AW Conference Server named "W1AWBDCT." (The 9:45 PM ET phone bulletin is currently unavailable via W1AWBDCT.) The CW/digital audio is sent in real-time and runs concurrently with W1AW's regular transmission schedule.

All users who connect to the conference server are muted. Please note that any questions or comments about this server should not be sent via the "Text" window in EchoLink. Please direct any questions or comments to w1aw@arrl.org.

In a communications emergency, monitor W1AW for special bulletins as follows: Voice on the hour, Digital at 15 minutes past the hour, and CW on the half hour.

FCC licensed amateurs may operate the station from 1400 UTC to 1600 UTC (10 AM to 12 PM ET), and then from 1700 UTC to 1945 UTC (1 PM to 3:45 PM ET) Monday through Friday. Be sure to bring your current FCC amateur license or a photocopy.

The complete W1AW Operating Schedule may be found on page 76 in the April 2012 issue of QST or on the web at, <http://www.arrl.org/w1aw-operating-schedule> .

QSL/Certificate Competition has been extended until April 11th

In recognition of our 25th anniversary, we've been running a competition to design a 25th anniversary QSL card, and certificate. These will be used for all contacts with W8LKY, during 2012, as well as for the special event station in August.

Since we had only a couple of entries submitted, it was voted at the March meeting, to extend the QSL/certificate contest for one month.

So, you have a little more time. Send your entry or entries to:

wa8whp@gmail.com

or

kd8mq1@gmail.com

We are able to read most word processor, or graphics formats. If in doubt, just convert it to PDF. If not sure, call KD8MQ for advice, at 330-936-5021.

You can also mail a hard copy to Frank, WA8WHP. His contact information, along with that of all our officers are posted on page 2 of each & every copy of the Zero Beat. Just get it to us by April 11th.

Free Circuit Design Tools for Ham Radio

By Dan Romanchik, KB6NU

About a week ago, I started looking for a schematic capture program so that I could easily generate some simple schematics for my upcoming Extra Class study guide. Since I use a Mac as my main computer, I first asked on the Ham-Mac mailing list if anyone knew of a good one. I got several recommendations, including:

- Diptrace (<http://www.diptrace.com/>)
- Eagle (<http://www.cadsoftusa.com/downloads/freeware/?language=en>)
- And McCad (<http://mccad.com/>)

Eagle looked like a good choice, although several people mentioned that the user interface "left much to be desired."

Then, I remembered that I had OmniGraffle, which is a general-purpose diagramming tool. Googling around, I found several sets of electronic symbol libraries that could be used with OmniGraffle. I installed them, and generated a couple of figures for the study guide section that discusses T-network and pi-network filters. It was a reasonably good solution to my problem.

A Web solution

A couple of days ago, though, someone on the local Maker mailing list, pointed me towards CircuitLab (<https://www.circuitlab.com/>), an online schematic capture tool and circuit simulator. I haven't tried the circuit simulation yet, but the schematic capture tool is really easy to use. It's much easier to use for drawing circuit diagrams than OmniGraffle.

Another benefit is that it doesn't matter what computer you're using. Because it runs in a Web browser, it doesn't matter whether that browser is running on a Mac or a PC or even a Linux box.

If you set up an account, you can save circuits to your "workbench." To get you started, there are some

sample circuits, such as the 555 timer circuit shown in Figure 1. There's also some decent documentation and a forum where you can discuss circuits and get some help.

Finally, the price is right, too. It looks like using CircuitLab is completely free. I couldn't find any pages that required payment. =====
When not searching the Web for circuit design tools, you'll find KB6NU working 30m CW and twittering away about his contacts. His Twitter id is @kb6nu. He would love for you to follow him there. If you don't tweet, you can still read his blog at www.kb6nu.com.

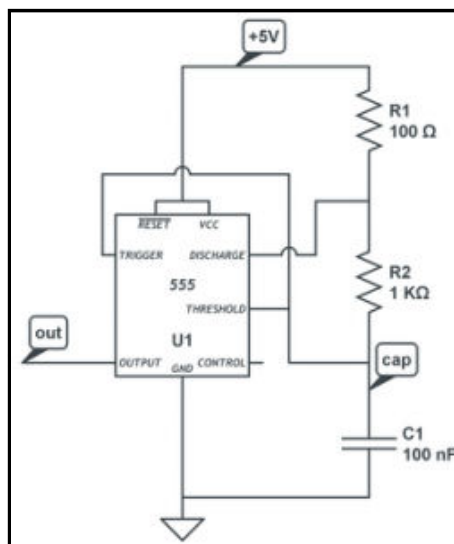


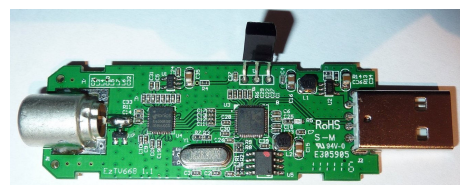
Fig 1. 555 Timer circuit saved on circuitlab.com, by the author

\$20 SDR?

I found this on "Larry's List" Looks interesting. KD8MQ

"I came across this wiki that shows how to use a USB digital TV dongle as a software defined radio that can tune from 64MHz to 1700MHz. I thought some of the tinkerers might be interested."

<http://sdr.osmocom.org/trac/wiki/rtl-sdr>



Ohio QSO Party Results are Posted W8LKY Places 10th In Class From Mahoning County

Well, the results are in. we didn't do quite as well as in 2010, but The Alliance ARC managed to take rare Mahoning off of the most rare list (actually, I don't know if such a list exists, but we were the only ones on from there in 2011).

Our score of 31,164 points is down from 32,522 in 2010.

What isn't shown in the results is the fun we all had (OK, maybe OMO didn't

have much fun; he spent most of the day trying to figure out why all the oil was leaking out of his motorcycle). But, the rest of us had a blast.

If we had operated all the way to midnight maybe we'd have done better, but we likely would not have had any more fun. In addition to OMO's bike troubles, I remember Ben, KD8KMQ cooking something in a dutch oven. It was a good day, all

around.

I'm looking forward to doing it again this summer. How about the rest of you?

The full Ohio QSO Party results are available at <http://www.ohqp.org/>.

I guess the only thing to be decided this year is the location. Do we stay in Mahoning County, or give the folks in Stark County a run for their money? Come to the next meeting, and let's talk about it.



Where's that oil coming from?



Which one's Peggy?



CQ 40, Where is everyone?

2011 Ohio QSO Party

Ohio Multi Operator

CALLSIGN	QTH	SCORE	QSOs	CW	PH	MULTS
K8DV	CLER	389,004	1159	525	634	231
WW8OH	LICK	202,554	768	255	513	198
N8HR	MUSK	157,896	819	99	720	172
W8BD	WILL	74,480		371	119	252 152
W8FT	HANC	74,307		323	204	119 141
W8ND	WARR	65,844		558	0	558 118
KA8O	WYAN	63,027		393	54	339 141
K8SCH	VANW	60,444		290	124	166 146
AC8GE	HOLM	37,800		358	2	356 105
W8LKY	MAHO	31,164	316	2	314	98
N8H	HAMI	29,610		263	19	244 105
K8BLP	COLU	27,835		293	0	293 95
W8DGN	GREE	8,125	125	0	125	65
KE8E	TRUM	4,131	81	0	81	51
N8CEV	CLIN	1,564	46	0	46	34
W8VVL	HAMI	324	27	0	27	12

History Lesson

The following is the text of an e-mail to Don, K8OMO, recently received from Argus Barker, W8QMD:

The Green Valley Radio club was W8SHZ at the Alliance Armory. The clubs function was communication for the Ohio State Third Area Civil Defense.

The equipment in the radio room was two Karr AM transmitters, Four Collins 75A4's, one Viking two with vfo and a Hammarlund HQ-140 receiver on ten meters. The Karrs were on 160 and 75 meters with end feed half wave antennas. there was also a Western Union teletype connection. There was a 5 KW standby gen set.

The Karrs had a 4-125 final modulated by two 4-65As and were crystal controlled.

The steel building is still there on the grounds. Robert Sell, W8EK, was the first radio officer and was replaced by Charles Floyd, W8WJ, later. Those two, Harry Pownell and I are all I can remember being ops.

Carl Shekels, a WW II marine was the secretary and ran the place. He was the only 40 hour employee.

W8LKY was the Tri-county Radio amateur association at Chapman Hall in

1958 so I think the club on RT 62 east was the Alliance Radio Club.

I don't remember a name being used, we just said we were going to the radio club meeting. Since there was only one club there was no confusion. My dues as a junior member was 50 cents per month.

I recall at a meeting they offered bonds at \$20.00 each to finance a Johnson Viking II kit which the experienced hams worked on at meetings. Harry bought one of the bonds and I'm sure none of them were ever redeemed. Some one donated a BC-348 receiver and that was the club station. I helped Harry install an antenna there. That was the first copperweld wire and big Johnson insulators I ever saw.

Joe Crumrine, W8UEY, lived a half a mile away at the intersection of old 80 and Greenbower St. and I spent a lot of time pestering him about radio. He had a rig with 24G's modulated by TZ-40's on 10 meters with a three element beam on a windmill tower in 1952 when it was a hot band. His wife Margaret taught at Greenbower school.

Brazil Bans Hams From PY0S

The St. Peter and St. Paul archipelago in the mid-Atlantic Ocean is now off-limits to amateur radio DXpeditions. The islands currently sit at #16 on *DX Magazine's* "most wanted" list. According to a report on Southgate Amateur Radio News, the government of Brazil, which owns the islands, issued the new restrictions in an announcement on the website of the country's Secretariat of the Interministerial Commission for Sea Resources (SERCIM). At press time, Brazil's national amateur radio association, as well as several Brazilian DX groups, were working with federal lawmakers to try to overturn the ruling.

Thanks CQ Newsroom for the above

Upcoming Fox Hunts

<u>Date</u>	<u>Start Time</u>	<u>Hunt/Talk-in Freq</u>	<u>Sponsor</u>	<u>Start Line</u>
April 4 th	6:30 PM	147.525	Cuyahoga Falls ARC	2850 Church St, Stow, Ohio
April 21st	2:00 PM	147.525	Alliance ARC	1906 S. Union Ave, Alliance
April 18 th	6:30/7:00 PM	147.525	Cuyahoga Falls ARC	2850 Church St, Stow, Ohio

For changes, or additions, e-mail kd8mq@arrrl.net

Sanor Sends Fox Hunters on a Hiking Trip!

The premier fox hunt of 2012 turned out to be more than some of us expected. But, the scenery was beautiful!

The hider for the first hunt of 2012 was Frank, WA8WHP, who chose to hide on the Stark Parks Mahoning valley trail, either ¼ mile, or ½ mile from the road, depending on which road you're talking about.

This is definitely not a hunt that anyone will forget in the near future.

The hunters, in order of finish, were:

- 1 K8OMO (2:40)
- 2 KD8MQ,

- KD8QCF,
- KD8KMQ (2:42)
- 3 KC8QOD (2:49)
- 4 N8PXW (3:00)
- 5 WB8VNO, WD8CVH.

Afterwards, we all adjourned to Sheetz, the official AARC after Fox hunt Hang-out, for refreshments, and swapping of tall tales.

Just so everyone is clear for the future, there are a couple ground rules for the hiding of the fox:

1. The fox must be on public property.
2. No hiding on University of Mount Union Property, without prior permission.
3. Hunters must be able to

drive to within reasonable walking distance of the fox. (*Reasonable walking distance is loosely defined as the farthest distance a 50 year old man with bad knees, carrying a 50lb backpack, can travel in 30 seconds.*)

In spite of committing a major breach of etiquette, Frank was offered a ride home from the woods, and all talk of lynching was purely in fun.

We thank Frank for hiding the fox, and look forward to his next hiding place.

KD8MQ Serial Cable Mystery

The NE Ohio foxhunters have no doubt been watching with some amusement, KD8MQ's frustrations with his Montreal Doppler system.

It would work sporadically, if at all. It also had a tendency to destroy micro-

processors.

Last month, the system was re-inspected, and a cause was found. The serial cable which runs from the RF switcher to the computer was not a straight through cable at all, but rather a unique 9 pin cable disguising itself as

a serial cable. The connections ran from one pin to another, in a random pattern.

The cable was replaced, and the Doppler was restored to semi-normal operation.

The old cable will soon be chopped up into little pieces.



Pioneer Amateur Radio Fellowship, Inc.

Dayton Hamvention 2012

Saturday, May 19, 2012 5:30 AM



Are the gas pumps keeping you from the Hamvention? Is the thought of driving down to Dayton and then parking your car in some shopping center to be then bused to the Hamvention keeping you from going? Why not take our bus to the Dayton Hamvention where you can come and go to the flea market with your great purchases and leave them on the bus. The bus will be parked close to the flea market entrance.

You can save \$10* if you book before April 24th.

The cost of the **Bus & Entrance ticket** to the Hamvention:

\$65* before April 24, 2012

The cost of the **Bus Only** to the Hamvention:

\$50* after April 24, 2012

(You will need to get your own Hamvention Entrance Ticket at gate \$25, or order by phone & have held at Will Call--possibly getting Advanced \$20 price.)

We will take riders right up to departure that morning (if there are seats available) on a first come, first served basis.
Departure time is 5:30 AM SHARP, so please be on time so you don't miss the bus!
Parking will be in the back of the church.

There will be a stop for breakfast @ McDonald's and a dinner stop @ the Hometown Buffet (out of pocket expense).

Transportation is being provided by the Crossroads Transportation Company.
This bus is a smoke free bus, so there will be no smoking permitted.

To Order - Complete application & send with check/money order (*payable to "PARF"*) to:

Joy Spencer KA8TDF
2101 Bigelow St
Akron, OH 44314
Or call 330-745-5115
E-mail: KA8TDF@arrl.net

Please supply a return e-mail for your receipt confirmation.

Location of Departure is:

Akron Baptist Temple
2324 Manchester Road
Akron, Ohio 44314
Located on Rt. 93 just north of Rt. 224

Repeaters 147.135 & 146.610

Please pass the word out to all of your ham friends & computer geeks.

The above pricing does not include any tips...a hat will be passed for driver's tip.

A Cry For Help on Ham Radio

by Harold Childress, WB0LFH

This was posted to Larry's List; an e-mail list of Hams in the Kansas City, MO area, by Jim, KØWWS . Reprinted with permission of the author. KD8MQ

How to respond to an emergency cry for help when you hear it on amateur radio.

When you come across a request for emergency help on amateur radio, it is very important that you follow guidelines that have been in effect for years in order to prevent chaos and provide for the quickest appropriate response.

Here is the correct way to respond:

1 First of all, just LISTEN! If you just must, ask if someone is already trying to help. MAKE IT BRIEF!

2 Make sure that someone else has not already made or tried to make contact with the station requesting help.

3 If someone else has already made contact or is trying to make contact:

4 DO NOT TRANSMIT! But, by all means stand by as a listening post, ready to help if asked.

5 Consider that first ham to be the "net control" of a "directed net" for the duration of the situation or until he or she turns it over to someone else.

6 If the "net control" is having trouble and needs help, he or she, will ask for help.

7 If a significant time period has elapsed since you

last heard "net control", then:

8 VERY BRIEFLY, give your call and ask if net control needs assistance.

9 If, another reasonable period of time elapses and you get no response from "net control", then you could consider trying to again contact "net control" and if still no response, contact the station requesting help yourself. If "net control" comes back on, relinquish the "net" back to him or her.

10 If "net control" asks if anyone can give him a fill on information he missed, and you have that information:

11 TRANSMIT ONLY YOUR CALL AND STOP UNTIL ACKNOWLEDGED BY NET CONTROL

12 Remember the old adage: "Too many cooks spoil the broth! "

When to call 911:

1 If at all possible, try to get the following information: (But DON'T wait too long!) (For all you know, that person could be seriously injured or even dying!)

2 Who is requesting help

3 Where is he or she located

4 What is the nature of the problem (Assume it is an emergency unless you KNOW it is not.)

5 How serious is the problem (Remember, you cannot evaluate how serious it is over the radio!)

6 Time is IMPORTANT! It could even be extremely critical.

When you have enough information to get a pretty good idea of the situation, call 911. If you have the location pinned down to a block or two, get emergency services rolling while you try to get a more precise location. At least if you call 911 and they decide to wait for more information, it's on their heads, not yours if the person should die because of the delay.

Amateur radio has a long history of helping others in emergency situations. It is commendable that hams want to help. It is sometimes vital that hams help. But, be sure to do it properly so you do not become part of the problem or cause other problems.

Why was this article written? It is in response to a situation that occurred on the evening of March 29, at the tail end of a local thunderstorm with considerable lightning and a local ham, barely able to talk, cried for help on the 146.940 repeater.

He had apparently been hit by lightning while in his back yard. Fortunately, he had his two-meter handheld with him. It is not known how long a time elapsed between being hit by the lightning and when he made his call for help.



Callsign-_____

W8LKY
Alliance Amateur Radio Club
Renewal – Membership Application

	Dues
Sustaining	\$15.00
Full	\$10.00
Associate	\$5.00
Family	\$1.00

Mail to: Mary Ann Royer
6255 Sandalwood NE
Canton, OH 44721

Name _____ Phone # _____

Address _____

City _____ State _____ Zip _____ Birthday _____

Occupation _____ ARRL Member? Yes No

License Class _____ Expiration Date _____ Year you were first licensed _____

E-mail Address _____

Special interests? (i.e. Dxing, Contesting, Hunting, etc.) _____

Pro-Rated Dues Schedule
(New Members Only)

	April-June	July-September	October-December	January-March
Sustaining	\$15.00	\$11.25	\$7.50	\$3.75
Full	\$10.00	\$7.50	\$5.00	\$2.50
Associate	\$5.00	\$3.75	\$ 2.50	\$1.25
Family Member	\$1.00	\$0.75	\$0.50	\$0.25

Please do not write beneath this line

Dues paid – Sustaining() Full() Associate() Family() \$ _____ on _____, 20____ signed _____

April 2012

Sunday	Monday	Tuesday	Wednesday	Thursday	Friday	Saturday																																																																																					
<i>1</i>	<i>2</i>	<i>3</i> 7:00 PM Stark Cty ARES Net (147.12) 9:00 PM Northern Columbiana Cty Training Net (147.255)	<i>4</i> Cuyahoga Falls FoxHunt	<i>5</i> 7:00 PM PCARS Net (146.895) 8:01 PM AARC CW (28.400 MHz) 8:30 PM AARC SSB(28.400 MHz) 9:00 PM AARC VHF (145.37(-))	<i>6</i>	<i>7</i> Strk County VHF QSO Party																																																																																					
<i>8</i>	<i>9</i>	<i>10</i> 7:00 PM Stark Cty ARES Net (147.12) 9:00 PM Northern Columbiana Cty Training Net (147.255)	<i>11</i> AARC Meeting	<i>12</i> 7:00 PM PCARS Net (146.895) 8:01 PM AARC CW (28.400 MHz) 8:30 PM AARC SSB(28.400 MHz) 9:00 PM AARC VHF (145.37(-))	<i>13</i> 8:00 PM Massillon Net (147.18)	<i>14</i>																																																																																					
<i>15</i>	<i>16</i>	<i>17</i> 7:00 PM Stark Cty ARES Net (147.12) 9:00 PM Northern Columbiana Cty Training Net (147.255)	<i>18</i> Cuyahoga Falls FoxHunt	<i>19</i> 7:00 PM PCARS Net (146.895) 8:01 PM AARC CW (28.400 MHz) 8:30 PM AARC SSB(28.400 MHz) 9:00 PM AARC VHF (145.37(-))	<i>20</i> 8:00 PM Massillon Net (147.18) Joe, KC8TAC BD	<i>21</i> <div style="border: 1px solid black; padding: 2px; width: fit-content; margin: auto;">2:00 PM AARC Foxhunt</div>																																																																																					
<i>22</i>	<i>23</i>	<i>24</i> 7:00 PM Stark Cty ARES Net (147.12) 8:00 PM Homeland Security Net (147.51) 9:00 PM Northern Columbiana Cty Training Net (147.255)	<i>25</i>	<i>26</i> 7:00 PM PCARS Net (146.895) 8:01 PM AARC CW (28.400 MHz) 8:30 PM AARC SSB(28.400 MHz) 9:00 PM AARC VHF (145.37(-))	<i>27</i> 8:00 PM Massillon Net (147.18)	<i>28</i>																																																																																					
<i>29</i>	<i>30</i>	<div style="display: flex; justify-content: space-around; align-items: center;"> <table border="1" style="border-collapse: collapse; text-align: center;"> <caption>Mar 2012</caption> <thead> <tr><th>S</th><th>M</th><th>T</th><th>W</th><th>T</th><th>F</th><th>S</th></tr> </thead> <tbody> <tr><td></td><td></td><td></td><td></td><td>1</td><td>2</td><td>3</td></tr> <tr><td>4</td><td>5</td><td>6</td><td>7</td><td>8</td><td>9</td><td>10</td></tr> <tr><td>11</td><td>12</td><td>13</td><td>14</td><td>15</td><td>16</td><td>17</td></tr> <tr><td>18</td><td>19</td><td>20</td><td>21</td><td>22</td><td>23</td><td>24</td></tr> <tr><td>25</td><td>26</td><td>27</td><td>28</td><td>29</td><td>30</td><td>31</td></tr> </tbody> </table> <table border="1" style="border-collapse: collapse; text-align: center;"> <caption>May 2012</caption> <thead> <tr><th>S</th><th>M</th><th>T</th><th>W</th><th>T</th><th>F</th><th>S</th></tr> </thead> <tbody> <tr><td></td><td></td><td>1</td><td>2</td><td>3</td><td>4</td><td>5</td></tr> <tr><td>6</td><td>7</td><td>8</td><td>9</td><td>10</td><td>11</td><td>12</td></tr> <tr><td>13</td><td>14</td><td>15</td><td>16</td><td>17</td><td>18</td><td>19</td></tr> <tr><td>20</td><td>21</td><td>22</td><td>23</td><td>24</td><td>25</td><td>26</td></tr> <tr><td>27</td><td>28</td><td>29</td><td>30</td><td>31</td><td></td><td></td></tr> </tbody> </table> </div>					S	M	T	W	T	F	S					1	2	3	4	5	6	7	8	9	10	11	12	13	14	15	16	17	18	19	20	21	22	23	24	25	26	27	28	29	30	31	S	M	T	W	T	F	S			1	2	3	4	5	6	7	8	9	10	11	12	13	14	15	16	17	18	19	20	21	22	23	24	25	26	27	28	29	30	31			
S	M	T	W	T	F	S																																																																																					
				1	2	3																																																																																					
4	5	6	7	8	9	10																																																																																					
11	12	13	14	15	16	17																																																																																					
18	19	20	21	22	23	24																																																																																					
25	26	27	28	29	30	31																																																																																					
S	M	T	W	T	F	S																																																																																					
		1	2	3	4	5																																																																																					
6	7	8	9	10	11	12																																																																																					
13	14	15	16	17	18	19																																																																																					
20	21	22	23	24	25	26																																																																																					
27	28	29	30	31																																																																																							

Alliance Amateur Radio Club
P.O. Box 3344
Alliance, OH 44601

The AARC Wayback Machine

Here again are some of the highlights from the last 20 years of the Zero Beat. you can read them at <http://www.w8lky.org/newsltrs/>.

April, 1987 (Editor, KB8AKQ)

- Our ARRL affiliation had come through, and we were planning a party at the Bonanza Steak House.

- Eric, N8HHV was running a CW practice net on 28.175 MHz every Thursday at 7 PM.

- Effective March 21, 1987, Novices were to be given voice privileges on 28.1–28.3 MHz. They were also given all privileges on 220 MHz, with the exception of repeater own-

ership.

April, 1997 (Editor, N8SH)

- Don, K8OMO was awarded Ham of the Year from Gladys, KB8GIA.

- We had decided to have a Mall show. John, WX8G volunteered as chairman

April, 2002 (editor, KE8VE)

- This was a “Skeleton” Zero Beat. Since KD8MQ was only able to do a bi-monthly Zero Beat, Larry, KE8VE stepped in to fill in the gaps.