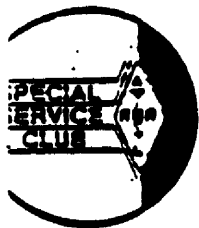


ALLIANCE

AMATEUR

RADIO CLUB



# ZERO BEAT

May, 1989

\*\*\*\*\*

*New*  
\*Officers\*

Pres.-Dave Buckwalter-KC3CL  
V. Pres.-Allen Dicks-VI8T  
Sec'y-Eric Gwynne, N8HHV  
Treas-Patti Hillier-KE8KH

*KC3CL*  
*KB8GBA*  
*KB8GIA*  
*KE8KH*

\*Trustees\*

Larry Hillier-N8EVV  
Ron Gwynne-VC8F  
Jim Ferguson-N8DZA  
Editor-Pam Myers, N8IAK

*KE8VE*

\*\*\*\*\*

The Next meeting of the Alliance Amateur Radio club will be May 4, 1989 at The Alliance Community Hospital Room A(off the cafeteria). This will be our annual meeting, with the election of officers! Don't miss it!

As this is my last newsletter I will be editing; I would like to make a few comments: Thanks to Jim N8DZA and Matt N8EAD for their unfaltering support of the newsletter-to Gene N8JKZ, who picked up the final copy so it could be printed every month, to the students at the school, who did an outstanding job of printing, stapling, and delivering the newsletter. Special thank to KD8MQ, John who printed labels, look up information, co-edited the Zero Beat and was always there for me. Thanks to all the club members who supported me, and to the Board of Directors, without their support, I would have failed. This newsletter is dedicated to the memory of Harold Kelley, Sr. In the short time I knew him, was always Supportive of the Zero Beat, and was the greatest ham ever! Pam N8IAK

And the "beat" goes on- Janice Barber will be our new editor. Janice just recently passed her novice test from our classes, and is studying for her tech/gen now. Give her all the support you can Thanks Janice!

The reviews are in-The Mall show was another success. Mark Koontz from WJW TV8 and WDJQ FM was the main attraction on Sunday. Thanks to all who supported the show, and to N8DZA Jim Ferguson who organized it. Our club gave 100%, and that's what made it work!

Spring weather is fast approaching and I hope everybody has completed most of their winter projects and will be looking forward to the warm rays of the sun. From September till March, we commuted almost every Wednesday from N. Canton to Alliance Community hospital for classes so I appreciated the mild Winter. Last month classes were concluded after seven months and we have four novice's and four technician class hams. Boy, did Gladys and I like the mall show. We got to see and talk to a lot of people. Everyone I talked to thought the demonstrations were very impressive and asked a lot of questions. Everyone had a very good display with many modes. Every time I looked around-one table or another had a crowd of people looking and asking questions-to each and everyone congratulations on a very good mall show. I would like to thank some people for what they did for my wife and I to help us get our tickets... Alliance Amateur Radio Club for having the mall show and demonstrating what ham radio is all about, the many modes of use, and being so helpful in starting people into ham radio. To the A.A.R.C. "Thank You". Pam Myers, N8IAK the lady who took the time to talk to us and sell us our novice kit. Pam, you supported us all the way with so many words of encouragement and helping hints-Pam "thank You". John Myers, KD8MQ, who was the novice class instructor and the one who took the extra time to help Gladys get her ticket-it was a lot to teach in a short time.- John "thank You". Larry Ashburn, KE8VE, who made the CW tapes, at first I thought there

was no way to write or even think that fast. The time you took to make the tapes and being at class to help us along in so many ways. Without the tapes we would have been lost-Larry "thank You". Jim Ferguson, N8DZA a special person who I am proud to know (the A.A.R.C. is lucky to have such a man in their organization.) Jim you made difficult things to understand seem simple when you explained the answer. Jim you always went the extra yard and I apologize for asking so many questions. Jim "thank You". Till next month remember that today is the yesterday that you'll be talking about tomorrow. KB8GHZ Jim & KB8GIA Gladys.

Dues are due! It's that time again! See Patti KE8KH or mail your dues to the club box. (3344 Alliance, Ohio 44601) Remember, you must have your dues paid in order to vote in the upcoming elections! We need you in our club!

### NO CODE!

By now I'm sure that everyone has read the NO-Code proposal in the May QST. Any talk of NO-Code is guaranteed to spark some heated debate, pro & con. This could be the greatest thing to HAPPEN to Ham Radio in a long time. OR It could be the biggest fiasco of all time. Whatever your opinions on No Code, Get your opinions to your division Director before the July 21-22 ARRL board meeting. The Division Director was elected BY US TO communicate our wishes to the ARRL board, and he can't very well read our minds, CAN HE?? You don't have the address? That excuse won't work. Our Division Director is: Leonard K. Mathanson, W8RC, Director, Great Lakes Division, 20833 Southfield Road, Suite 240, Southfield, Michigan, 48075.

(Editors note- How about sending your comments on a QSL card? A long letter is not required.)

Remember:

BE SURE TO GET YOUR COMMENTS TO YOUR DIVISION DIRECTOR TODAY. DON'T WAIT FOR SOMEONE ELSE TO DO IT.

Amateur radio operation has been approved for inclusion on the secondary payload list of flight STS 35, which is due to lift off in March, 1990. Ron Parise, WA4SIR, A payload Specialist for the Astro 1 payload to be carried on that flight will operate the station in the orbiting shuttle. He will be using voice and video communications as well as packet radio. The orbit of the shuttle will allow amateurs located between approximately 46 degrees north and 46 degrees south latitudes to COMMUNICATE directly with the shuttle.

The approval for the operation is contingent on final approval by Johnson Space Center of the SAREX hardware and operation plans, as well as prioritization of secondary payloads for the STS 35 flight.

CALLS-VQ80(42) KE8XO(21) N8KNX(67) KB8GUB(156)

ARES REPORT- Our ARES committee has been meeting regularly, with the Alliance Emergency Management Agency, which is developing an emergency preparedness plan for the city, and have requested that amateur radio play a part of that plan. One part of this plan is to have 2 meter amateur antennas installed at strategic locations around Alliance, for use in times of emergency. Larry Ashburn is hard at work on the telephone call-up tree, and Allen Dicks, W18T, has been doing some research into portable antenna designs for use during emergencies. We expect to have another opportunity in the near future, for you to get your picture taken for an ARES ID card. I'll have more on this, later. Also, we'll need operators for the Aerobatic competition at Berlin Aeropark, which is coming up in June (Fathers Day weekend). That's all for this month. 73's



QRM  
FROM  
KC3CL

**The ELECTIONS are coming! The ELECTIONS are coming!** The next AARC meeting will be May 4th, and immediately following the regular business meeting will be the AARC annual meeting. Elections for club officers for the next year will be held. Four officer and one board member slot will be up for election. The out-going officers are:

President	Dave Buckwaller	KC3CL
Vice President	Allen Dicks	WI8T
Treasurer	Patti Hillier	KE8KH
Secretary	Eric Gwynne	N8HHV

The out-going trustee is Larry Hillier, N8EWV.

Remember, to be eligible to participate in the annual election you must hold a **current** membership status of Full or Sustaining. The new dues year begins May 1st. This means **your dues must be paid prior to the elections!**

Well the Mall Show is behind us for another year, and it was bigger and better than any previous show. Everyone did a fabulous job. What was accomplished was nothing less than great. I would like to thank each and every person who helped make the show a success, but if I tried to name everyone I would probably forget some-

### Tak-Nickle Art-Tickle

*Well here it is. The secret is out. This is what everyone has been talking about. The MEL Filter. This unique design circuit allows the 2 Meter operator to program his receiver to selectively ignore certain other operators.*

*This design uses a combination of both programmed call sign rejection and voice recognition circuits. The latter allows third party operators to be heard even though they may be operating the station programmed for rejection.*

*The circuit should be self explanatory, and standard construction practices apply. Please address any suggestions and comments to:*

FB Repeater, QRM

811A Triode Bypass

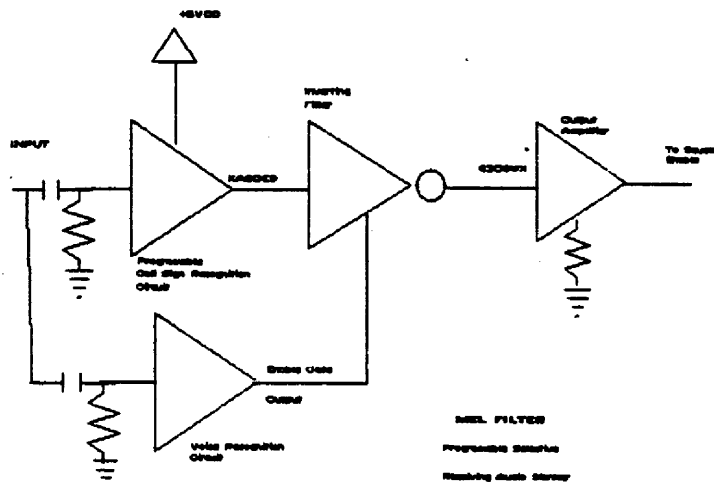
Magnetic North, QSB 1296.100

one. There was a lot of help and support from hams outside the club. I'll just say thanks to all who helped. You know who you are.

Don't slow down yet. The summer activities are just getting started. Field Day is coming. The last Saturday in June is only a couple weeks away. If the club is going to participate in Field Day this year it is time to start planning. We still need someone to coordinate and chair the Field Day committee. If no one steps forward by the end of the next meeting the club may not get organized soon enough to participate this year. I will not be available to help this year, as I will be doing my annual military training with the Navy Reserve.

**SELL TICKETS!** By the time you read this very little time will be remaining to sell tickets for the drawing. We are very close to the break even point. The goal was to make money for the club, not just break even. If you still have tickets remaining, get out and sell them now! Be sure to bring all of your stubs and money to the May meeting. The drawing will be held during the business meeting, and all stubs and money must be turned in by then.

Remember the DXCC contest? Well, as of this writing we still don't have a winner, but there are some who must be close. Those that have worked over 100 countries now have the challenge of getting confirmations. That is what takes time. I recently received cards from the bureau, but they were all from 1985 and 1986. Frank KA8FUZ just got a package of cards also, but none were from this year. Remember, *"It ain't over until the Fat Lady QSL's!"*



DAYTON-By the time you read this, you'll probably either be

- A) packing for Dayton
- B) returning from Dayton, or
- C) wishing you were going to Dayton.

We'd like to say:

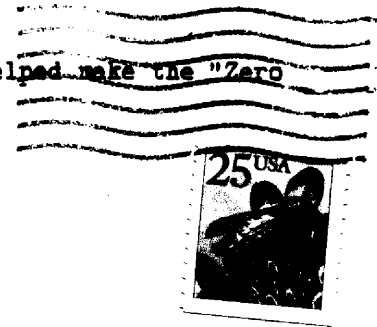
- A) wish you a good trip, and have a good time.
- B) hope you had a great time, and still had room in the car for the XYL/OM on the trip home.
- C) Hey, there's always next year.

### EVENT CALENDER

#### MAY

- 4 AARC CLUB MEETING & ELECTIONS
- 5 ARRL Spring Sprints-902 MHz
- 6-7 Ten-Ten international net Spring CW QSO Party  
MARAC County Hunters CW Contest  
Florida QSO Party
- 11 ESCARES-9:00 on 145.370  
ARRL Spring Sprints-1296 MHz
- 13 Ten Meter Dash  
Crooked Stick & Rats Nest QSO Party  
(No, this isn't a joke)
- 13-14 Nevada QSO Party  
CQ-M Contest
- 14 Medina Hamfest-Medina County Community Center  
Talk-in on 147.03
- 18 ESCARES-9:00 on 145.370  
ARRL Spring Sprints-2304 MHz
- 20-21 OMARC Midnight Special  
Armed Forces Day  
World Telecommunications Day Contest
- 21 Wheeling, WV-Wheeling Park  
Talk-in on 146.91
- 25 ESCARES-9:00 on 145.370
- 27-28 ARRL Spring Sprints-50 MHz  
CQ WV WPX Contest, CW
- 28 ARCI QRP Hoot Owl Sprint, CW

Well, that's it for this month. Again, thanks to everyone who helped make the "Zero Beat" a success. '73', Pam, N8IAK



AARC  
P.O. Box 3344  
Alliance, OH, 44601

WSUKQ  
DAVID GLASS  
217 W. SIMPSON  
ALLIANCE, OHIO 44601

05/89