

TV
Swap

Alliance Amateur Radio Club

Affiliated with the "American Radio Relay League"



ZERO BEAT

FEBRUARY/MARCH 1992

The Fox Hunt

It was a dark and musty night.. No it wasn't! It was a cold, windy, snowy day. It was the latest AARC fox hunt. Don, K8OMO and Dave KC8WY thought they had the fool proof fox setup. Well, they almost did.

Three teams showed up at the start and took off in all directions to try and locate the source of the fox's signal. Why did it keep changing in signal strength when I wasn't moving? What was N8DZA and his partner N8LVO doing so far south of town? Why did John and Pam go home in the middle of the hunt? And what was KC8WY driving around for? He was supposed to be the fox. These were questions you had to be there to get answered. But since you weren't there I will try to fill you in.

Team #1 KC3CL & KB8LJN Team #2 N8IAK & WX8G Team #3 N8DZA & N8LVO

Question # 1, Why did the signal keep changing level?

Well K8OMO and KC8WY were taking turns sitting on the antenna. No that wasn't right. They mounted the radio (handheld) on the antenna (beam) and put the beam on a U100 rotor that had the stops removed and the antenna was continuously rotated at a slow RPM rate.

Question # 2, What were N8DZA and N8LVO doing 5 miles south of Alliance when the fox was west of town?

Dan convinced Jim that there was a new restaurant down there that gave out two free doughnuts with each cup of coffee. Or was it that they were just confused and couldn't figure out why the signal level kept changing? Well another fox hunter said that they past Jim and Dan and pointed them in that direction and they went.

Question #3, Why did John and Pam go home in the middle of the hunt?

Continued on Page 4

The upcoming Alliance Amateur Radio Club meetings will be held on Thursday, 6 February and 5 March 1992. Meetings are held monthly at the Alliance Community Hospital (Except This Month) at 7:30 PM in the cafeteria on the first floor. Visitors are always welcome. NOTE: The March meeting location is TBD.

The Story of Digipeter Rabbit -- a No Code Fable By Frank Terranella, N2IGO

Once upon a time, in the far-away kingdom of Radio, there was a peaceful valley called Hamville, inhabited by a group of rabbits. Hamville was originally settled by the Whiskey family, and the patriarch of that family was an old hare called Charlie Whiskey.

Charlie Whiskey was a farmer by trade. He came to the beautiful valley of Hamville when it was all open meadows. He saw the potential for farming the vacant land and over time he developed a thriving carrot plantation. Charlie Whiskey's carrot plantation was the envy of all the inhabitants of the kingdom of Radio. He succeeded year after year in producing a bumper crop of carrots. All the other residents of the kingdom came to Charlie for advice on planting carrots. Charlie would always tell them, "The secret's in developing a good ear." No, Charlie didn't have superior hearing, but he had developed a very special skill. You see, Charlie picked his carrots with his ears.

In fact, Charlie had worked hard at perfecting this skill and was able to harvest at better than 20 carrots a minute. All of Charlie's family learned to pick carrots with their ears. Soon they were all picking at better than 20 carrots a minute. Charlie was so proud of his special skill that he insisted that everyone who came to work at Hamville first show that he could pick carrots with his ears. Charlie would not give new settlers any land unless they could demonstrate to his foreman, Victor Echo, that they could pick at least 5 carrots a minute with their ears. When they could pick 13 carrots a minute, Charlie gave them more land to work. When they were able to pick carrots by ear at the rate of 20 a minute, Charlie made them full citizens of Hamville.

This process of learning to pick carrots with your ears went on for some time. In other parts of the

kingdom of Radio, other rabbits began to pick carrots by ear. However, there were some noisy ducks, known as the Quackers, who lived in the community of Good Buddy. They used their mouths to pick their crops instead of their ears. They had much larger mouths than the rabbits and saw no need to use their ears. The rabbits all looked down on the Quackers. "We must always require ear harvesting skills for entry into Hamville," they said. "That way we will keep out those noisy Quackers." So everyone who came to Hamville had to learn how to pick carrots by ear if they wanted to stay. Charlie Whiskey was adamant about that. "If you don't want to learn the skill of ear harvesting then go work in Good Buddy with the Quackers," he would say.

And so the years passed, and new methods of farming were developed. These new methods were easier to learn than ear harvesting, especially for the animals who didn't have the big ears that the rabbits had. What's more, the new methods were just as efficient as ear harvesting. As time went by, fewer and fewer of the young animals were willing to learn the skill of ear harvesting. The population of Hamville began to dwindle. All the residents of Hamville were getting on in years. To make matters worse, there were new neighbors nearby who coveted the beautiful open farmland of Hamville. They wanted to come in and turn it into commercial uses like shopping centers. And worst of all, the pollution from the Quackers, the other Rabbits, and the Mice (known in Hamville as the QRM group) was having an adverse effect on farming in Hamville. The future looked bleak indeed.

Then, one day, a stranger called Digipeter Rabbit came to Hamville. He was an educated rabbit who had studied at the School for Scientific Bunnies (SSB). He had majored in Farm Mechanics and knew all of the latest scientific

agricultural methods. But for all his education and know-how, there was one thing that Digipeter could not do. He could not master the skill of picking carrots with his ears. And since he already knew how to pick carrots more efficiently with new scientific methods, he was not interested in learning.

Charlie Whiskey was outraged. "What do you mean you won't learn to pick carrots with your ears? Why, we in Hamville have been picking carrots that way for 75 years. It's a tradition here. It shows that we're special and that we're better than the Quackers. If you don't have the desire to develop a good ear, then we don't want you here in Hamville."

But Digipeter was adamant. He saw no reason to learn an obsolete skill just to stay in Hamville and he refused to even try. Charlie Whiskey took the matter to the Ancient Royal Rabbit League, which he had founded. The ARRL decreed that everyone in Hamville must learn to pick carrots with his ears or be banished. And so Digipeter Rabbit left Hamville and founded his own village called Techietown.

Soon, all the young animals in the land of Radio were flocking to Techietown. But Digipeter had his own entrance requirement. A good ear and a good memory were not enough for him. No one could stay in Techietown unless he could demonstrate technical knowledge, understanding and ability, and the desire to contribute to the advancement of Techietown.

Digipeter encouraged all the residents of Techietown to experiment in the cultivation of new unexplored lands, never before farmed. Digipeter showed them how to overcome pollution problems. He showed them how to use the land they had more efficiently. Digipeter even perfected a method of farming which allowed a number of rabbits to farm the same land at the same time. And while the residents of Hamville were picking 30 carrots a minute on a good day, in Techietown, harvests of 300 carrots a minute were possible. Using Digipeter's methods, and

those developed by the other bright, young residents, Techietown soon became the most prosperous village in the kingdom of Radio. This did not escape the notice of the Field Carrot Council, which governed the kingdom of radio. To reward the residents of Techietown for their contributions to the kingdom, the Field Carrot Council gave Techietown more and more land to work, until its borders touched those of Hamville.

Meanwhile, Hamville was still plodding along as it always had, oblivious to the revolution in farming occurring around it. The old hares still picked carrots by ear. The Ancient Royal Rabbit League complained bitterly to the Field Carrot Council about all the new land it was giving to Techietown, but the population of Hamville continued to drop. When the Field Carrot Council gave 2 acres of Hamville property to Techietown, the residents of Hamville began, for the first time, to be genuinely concerned about their plight. Some even dared to ask the Ancient Royal Rabbit League to change its mind about the need to learn to pick carrots by ear to live in Hamville. "We need new blood here to fight off the Field Carrot Council," they said. Charlie Whiskey, now in his nineties, was furious. "We have to maintain our standards. We don't need those smart young bunnies, we need rabbits skilled in our time-honored harvesting techniques. We need rabbits who are dedicated enough to the principles of Hamville to want to learn our methods. If a rabbit really wants to live here, he'll learn our ways. If he doesn't, we don't want him. You don't want those Quackers to move here, do you?"

But by now the residents of Hamville had seen the writing on the wall. Although they genuinely enjoyed picking carrots with their ears, they realized that there were now other ways which yielded just as many carrots. And though they would probably continue to pick carrots by ear as they always had, they could no longer shun those bright young rabbits who chose a more modern method. A group of rabbits, led by an elder statesman rabbit named Elmer, who had once served in the government of the kingdom

of Radio, asked the Ancient Royal Rabbit League to change its policy. The League agreed and issued a decree that henceforth ear harvesting skills would not be required to become a resident of Hamville.

When Digipeter Rabbit heard of the decree, he sent envoys to Hamville with all the latest scientific discoveries, which he shared freely with the residents. The residents of Hamville seized upon the new knowledge and soon Hamville became revitalized. Its population began to increase as young rabbits were attracted to its bountiful open farmland. The Field Carrot Council, impressed by the renaissance in Hamville, did not take away any more of its land, but actually gave some new territory to Hamville. Everyone was amazed at the new vibrancy of Hamville.

Charlie Whiskey, though sad that his beloved harvesting method was no longer in vogue, saw that his people were prospering and was glad. And to show that there were no hard feelings, Charlie Whiskey sent Digipeter Rabbit a packet of 73 carrots which he had picked himself – with his ears.

The residents of Hamville rejoiced and declared a festival to celebrate their new prosperity. And over the front door of the Hamville Festival they put a banner, which read: "A bunny's worth is measured not by the skill of his ears, but by what lies between them." The residents of Hamville had learned an important lesson.

-THE END-

Continued From Page 1

I really don't have the foggiest idea, but that said it was to get the beam antenna, and we all believe them. Right!

Question #4, After setting up the fox and driving away, Dave decided to see if he could find it. Well he did.

Now the answers to the unanswered questions... The fox was at Sunset Strip Airport

in Marlboro. (I should have believed my first instinct when the bearing went right across the airport on my map)...N8DZA and N8LVO drove the farthest, 718 miles(more or less)... WX8G and N8IAK found the beam and finally made it to the finish (ahead of N8DZA and N8LVO)...KC3CL (that's me) and KB8LJN got to the finish just a few miles and 31 minutes ahead of John and Pam and ...waited and waited... and waited for them to arrive. Then we waited a n d w a i t e d a n d waited.....and waited.....and waited for Jim and Dan.

Well the Holidays are over now and it's back to business as usual at the Alliance Amateur Radio Club. The December meeting was terrific, we had a super turn-out for our program with Pat Kelly from Ohio Edison, despite the frigid temperatures outside. Thanks to all of you who came to the meeting. January's meeting we will be talking about the Mall Show, and possibly selecting a committee to over see it, so be at the hospital January 2, 1992 at 7:30 in the cafeteria of the Alliance Community Hospi-

tal. Have you been giving Dave articles for the Zero Beat? He's been working real hard on getting articles for the newsletter, but we must help him! It's our newsletter, let's help Dave to make it the best it can be. Wasn't the banquet fun? We sure did have a good time, once again Kitty did a tremendous job of putting things together. There is a rumor that maybe Kitty won't be in charge next year, so let's tell her how much we enjoyed it, and maybe she'll take pity on us and do it again. See you at the meeting!

February 1992

Saturday	Sunday	Monday	Tuesday	Wednesday	Thursday	Friday
1	2	3	4	5	6 AARC Meeting 7:30 Alliance City Hospital	7
8 WIAW Qualifying Run	9 Mansfield Hamfest	10	11	12	13 Net 145.37 9 PM	14
15 ARRL International DX Contest (CW)	16	17	18	19	20 Net 145.37 9 PM	21 WIAW Qualifying Run
22 Ohio State Convention CQ WW 160 Meter Phone Contest (Starts on Saturday Evening Local)	23 (Chorinat) Cuyoga Falls Ham Fest	24	25	26	27 Net 145.37 9 PM	28
29 Ham Excess - Canton EOC - Ft 62 Dist - WBBVLN 453-5886						

March 1992

Saturday	Sunday	Monday	Tuesday	Wednesday	Thursday	Friday
	1	2	3	4	5 AARC Meeting	6
7 ARRL International DX Contest (Phone)	8 WIAW Qualifying Run Connect Hamfest	9	10	11	12 145.37 Net 9: PM	13
14	15 Maumee Hamfest	16	17	18	19 145.37 Net 9: PM	20 WIAW Qualifying Run
21	22	23	24	25	26 145.37 Net 9: PM	27
28 CQ World Wide WPX Contest (Phone)	29 Zanesville Hamfest	30	31			

Turn off fluorescent lights. (It took me a whole season to discover that my S7 noise level was caused by my overhead fluorescent light!)

Get on the air, talk to others and discover what equipment and antennas the "big guns" are using. You will find courteous hams willing to talk, advise, discuss, chat and give more than a

"59 Albania" report. I think you will be surprised to find out that the big signals are a result of the antennas and the radial systems used; not the type of transmitter being used or the power output. Could anything be more fun? See you on 1843 khz.

73, Ron Johnson, WE7H.

Congratulations to Jack Bennet (W8WEN) for being chosen the AARC's 1992 Ham Of The Year.

CONTEST ACTIVITIES

FIELD DAY 91- Well, the results are in. The AARC came in 58th out of 108 entries in class 4A. We had 657 QSO'S for a total score of 2718 points, including bonus points. Remember, only 5 months to go until field day 1992!

The ARRL 160 METER contest was held the weekend of December 6-8. Three club members mounted a portable operation for this event. W8T secured the use of his father-in-law's garage, complete with heat, & all the cold pop you could drink. We were running comparisons between Dan's trap dipole, and John's 160 meter dipole (more on this later). The rig was Allen's ICOM 765 running barefoot, and logging was done on Dan's laptop computer. We worked over 100 QSO's, about 45 multipliers. We weren't the only ones on though. W8WEN, K8OMO, & N8DZA were also heard. I wonder how they did?

((W8G))

The ARRL 10 METER contest is now history. In the last couple of years, it seemed that we could work ten meter pileups with ten watts to a wet string, but this year, I found myself working for every SSB QSO. Boy do I miss my beam! CW was not as bad, though. Every station was contacted on the first or second call, with very few fills needed. Overall, there was quite a bit of activity on the band, and as always, quite a few new ones were just waiting to be picked off.

((W8G))

The CQ WW 160 METER CW contest was held on the weekend of 21 - 23 January. A couple of local multi-op stations were on the air as well as one or two single operator stations. The "A Team" was made up of N8DZA, KF8LZ, and KC3CL. (Yep, KC3CL was operating a CW contest.) The "A Team" operated at KC3CL's place using the "Bare Foot" Kenwood feeding a Double-Extended Zepp. The antenna is 634 feet long, is up about 65 feet, and is fed with 200 feet

of ladder line. The "A Team" logged a total of 177 QSOs in 34 states, 3 Canadian Provinces and one DX country for a total score of 15,327.

On the far end of town was the "B Team". The "B Team" was made up of W1BT, N8LVO, and WX8G. They did ok. Unconfirmed reports indi-

cate that the "B Team" had about 162 QSOs and 34 multipliers for a score of around 12,000.

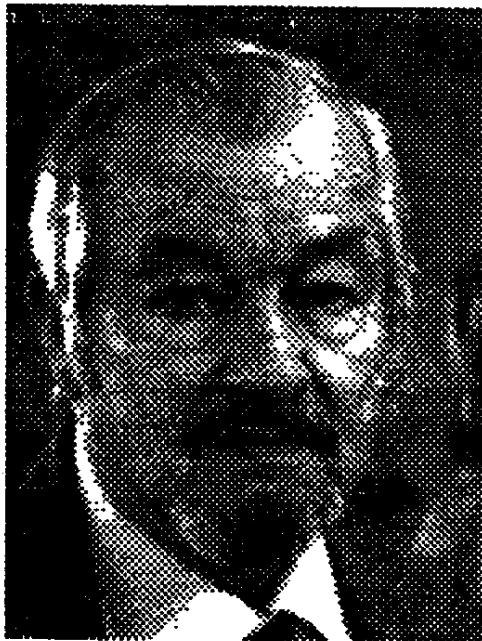
Better luck in the up coming CQ WW 160 METER SSB contest on February 21-23.

((KC3CL))

GARC News 1/92

Newsletter's are not easy to make!

It is difficult to be a newsletter editor. One thinks that all you have to do is to type or re-type the material furnished to you, into neat little columns and paste it all together. It does not work that way. First, there is no material furnished to you. People are always promising something but seldom deliver. This means that you the editor have to be the writer too. So there goes the nice little job... added duties. So you finally generate enough material to fill



the necessary space. What do you do now? You need to make about 300 copies of your paper.

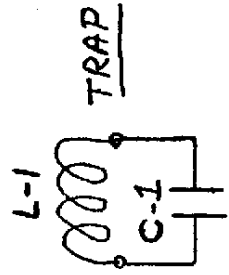
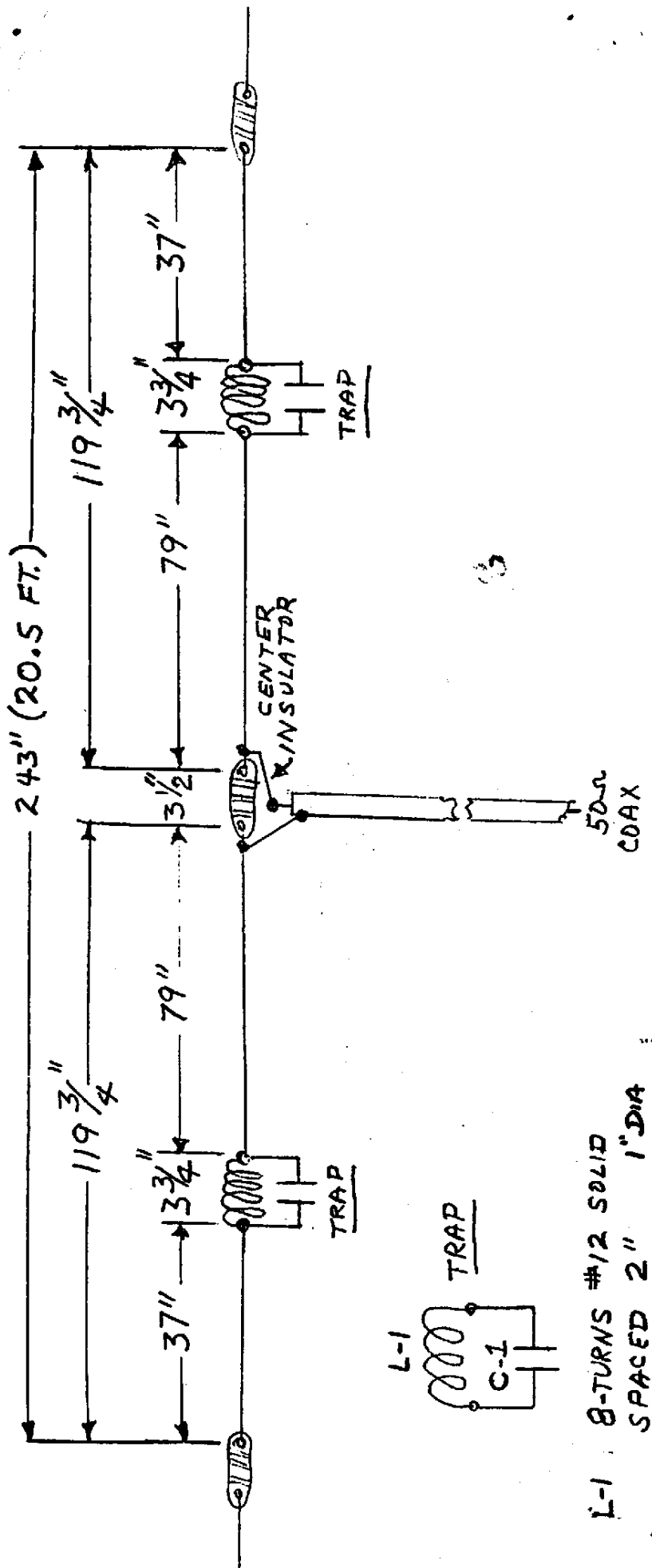
We were fortunate in the past because 'Cindy' took care of the publishing. It was really nice when you could

drop off the original and receive the copies on time, even with short notice.

Now you have to get the paper to the Wreck Dept. and wait 'till it's printed. About two weeks I hear. That moves the deadline of the paper back two weeks. If you want the members to receive the paper about a week before the meeting, it means that you have to have the next paper ready a week after the current meeting.

I think the club changed printers without letting Cindy know. As an ex-editor I want to take the time here to thank her for all the years that she spent in getting our paper published on time, everytime, with a quality above the normal we would expect. So Cindy, from all the club, **THANK YOU!**

So you want to be a newsletter editor when you grow up? Just look at the old editor above!



- L-1 8-TURNS #12 SOLID SPACED 2" 1" DIA
- C-1 .060" COPPER CLAD CIRCUIT BOARD 7/8" WIDE X 3 3/4" LONG

TRAP TUNED TO 21.250 MHz - ANTENNA WIRE #12 COPPER SOLID

POWER LEVEL
100 WATTS

DUAL-BAND ANTENNA
FOR
18.1 & 24.9 MHz

MODEL-2 BY
JIM TRUTKO - WBEX1
OCT. 1991

GARC News
11/91
JMT

HAM RADIO
AVG 87

Zero Beat is published monthly by the Alliance Amateur Radio Club. All correspondence related to the Zero Beat should be addressed to:

Alliance Amateur Radio Club Inc.
Att: Editor Zero Beat
P.O. Box 3344
Alliance Ohio 44601

Articles for publication can be submitted to the editor by mail, in person, or electronic transfer. Electronic transfer can be made by telephone modem, radio teletype or an IBM PC formatted disk. Disks should be 5 1/4" 360Kb or 3 1/2" 720Kb. Disks will be returned. Files should be in ASCII format or if in an IBM PC wordprocessor format, the wordprocessor used must be specified to permit conversion. For radio, telephone or teletype transfer contact the editor to make arrangements.

Zero Beat Editor:

KC3CL Dave Buckwalter
12435 Beula St., Alliance, OH 44601
(216)-821-4400

The activities of the Alliance Amateur Radio Club are coordinated by an elected board of officers. The current officers and the respective positions are:

President - Pam Myers - N8IAK

Vice President - Larry Ashburn - KE8VE

Secretary - Dan Mutgill - N8LVO

Treasurer - Patti Hillier - KE8KH

Trustee - Jack Bennet - W8WEN

Trustee - Dave Buckwalter - KC3CL

Trustee - Jim Wilson - KB8GHZ

Alliance Amateur Radio Club
P.O. Box 3344
Mount Union Station
Alliance, Ohio 44601-9998

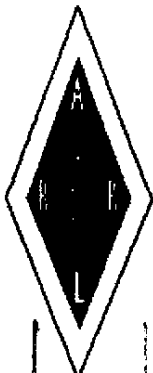


To:

W8LKG
Dave Glass
217 W. Simpson St.
Alliance Ohio 44601

KF8LZ AI

KAY IOW
Dave N8LZE
Alan K8BENIS
John K8BNE



Net 13 - ?
20 N8IAK
27 N8DBA



My Room - Fire Dept. ??
Apr
May

Fund Raising